



# IP STREAM CONVERTER

## PRODUCT SPECIFICATIONS

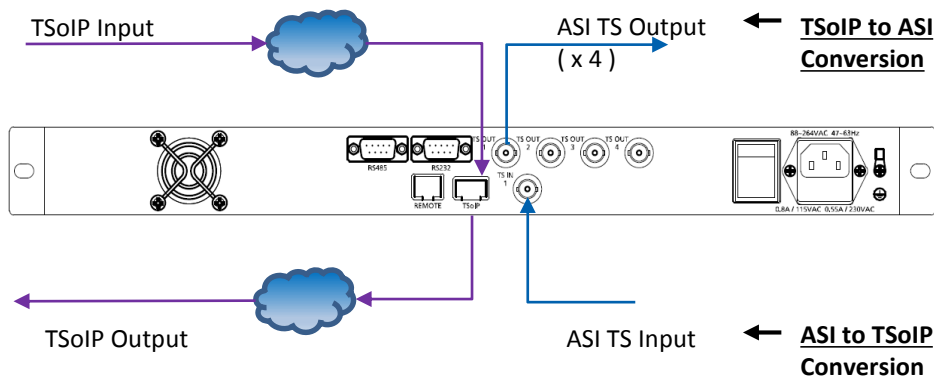
# IP STREAM CONVERTER

## Introduction

The Anywave Stream Converter provides a simple and cost-effective solution for converting Transport Streams from ASI to IP and from IP to ASI. The built-in web-interface allows easy remote configuration and control of the incoming and outgoing streams. The Stream Converter supports the simultaneous processing of both ASI to IP and IP to ASI stream conversion.

## Key Features

- ✓ Automatically converts ASI TS input to TSoIP output, 1 channel input, 1 channel output
- ✓ Automatically converts TSoIP input to ASI TS output, 1 channel input, 4 channel ASI output
- ✓ Easy to use built-in Web Interface for remote configuration and control
- ✓ Front panel LCD Screen and LEDs provide local status and control
- ✓ Remote upgrade capability, via RJ45 port for system upgrade



# Specifications

## Inputs / Outputs

- Gigabit Ethernet 1000Base-T RJ45 port - TSoIP (IP Stream Interface) Input and Output
- Supports UDP/RTP protocol, Multicast/Unicast mode, Group Management Protocol IGMP v2
- Remote RJ-45 port for Web Interface and remote code upgrade
- TS IN1 (ASI Input Stream Interface), BNC female, 75Ω input impedance
- TS OUT 1-4 (4 x ASI Output Streams), BNC female, 75Ω output impedance, Max Output Data Rate 270Mbps/s, Output mode: Byte, TS Stream Packet length: 188/204

## Control and Status

- 40x2 Front Panel Local backlit LCD Interface
- Built-in Web Interface for remote configuration and control
- Err – IP Stream Status Indicator
- TSIN – ASI Transport Stream Input Status Indicator
- TSOUT – ASI Transport Stream Output Status Indicator

## Other

- Power Supply: 88 ~ 264 VAC, 50/60Hz
- 1 RU, 19" Wide – Standard Rack size
- Weight: 3.5 kg (net) / 5.0 kg (gross)



**Cost Effective 100%**

**Reliable 100%**

**Scalable 100%**

**Dependable 100%**

**We have your broadcast transmission needs covered**  
**[www.anywavecom.net](http://www.anywavecom.net)**

## Anywave Communication Technologies

**Email:** [sales\\_us@anywavecom.com](mailto:sales_us@anywavecom.com)

**Phone:** +1 (847) 415 2258

**Fax:** +1 (847) 415 2112

**Address:** 300 Knightsbridge Parkway, Suite 150,  
Lincolnshire, IL 60069-3655

**Website:** [www.anywavecom.net](http://www.anywavecom.net)

