

Directional Coupler

Product Specifications

DC-158-N-UV

Part Number: 200877.01

(1 5/8 EIA, N single probe, UHF / VHF - 3kW)



Main Features

- 1-Slot
- Low IL and VSWR
- Temperature Stabilization
- Interchangeable Connector System

Electrical Specifications

Frequency range	100-806MHz
Work Frequency Band (MHz)	Any 6M or 8M or 10M
Insertion Loss	≤ 0.10 dB
Coupling (Pr/pf)	50 ± 0.5 dB
Directivity	≥ 30 dB
Return loss / VSWR	≤ 32 dB / 1.05
Max Power Output	3K W
Impedance	50 Ω

Environmental Specifications

Operating Temperature Range	-10°C to +55°C
Max Operating Temperature (Body)	65°C
Relative humidity	5% - 95%
Barometric pressure	55 KPa - 106KPa

Mechanical Specifications

Connectors (Input / Output)	1 5/8"	200877.01
Output Monitor Probe	N female	
Weight	0.5kg	
Outer Dimension (mm)	128.6 * 43 * 117.5mm	
Packing	1 Piece per box	

anywavecom.net

300 Knightsbridge Parkway | Suite 150 | Lincolnshire | IL | 60069

Phone: +1 (847) 415 2258 Fax: +1 (847) 415 2112

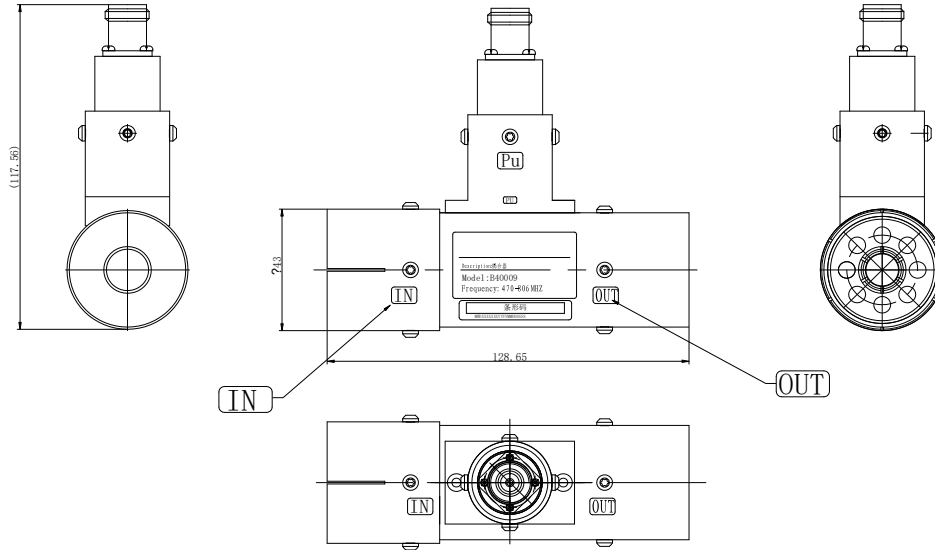
Directional Coupler

Product Specifications

DC-158-N-UV

Part Number: 200877.01

(1 5/8 EIA, N single probe, UHF / VHF - 3kW)



anywavecom.net

300 Knightsbridge Parkway | Suite 150 | Lincolnshire | IL | 60069

Phone: +1 (847) 415 2258 Fax: +1 (847) 415 2112