



Main Features

- 6 Pole
- 40mm Cavity Size
- Double Cross Coupling
- 18MHz Bandwidth Tunability
- Temperature Stabilization
- Output Monitor Probe

Electrical Specifications

Electrical Specifications			
Frequency range	470-806MHz		
ADJUSTING DATA	DVB-T/T2	ATSC 1.0/3.0	ISDB-T
Insertion Loss	f(0)≤0.7	f(0)≤0.85	f(0)≤0.95
	f(0)±3.8MHz≤1.75	f(0)±2.7MHz≤1.3	f(0)±2.79MHz≤2.05
	f(0)±3.9MHz≤2.15	f(0)±2.93MHz≤1.6	
Attenuation	f(0)±4.2MHz≥3	f(0)±3.5MHz≥9	f(0)±3.15MHz≥6
	f(0)±6.MHz≥20	f(0)±6.MHz≥29	f(0)±4.5MHz≥22
	f(0)±12MHz≥41	f(0)±9MHz≥63	f(0)±9MHz≥47
Harmonic Attenuation	≥80dB up to 1.2GHz	≥80dB up to 1.2GHz	≥80dB up to 1.2GHz
Return loss / VSWR	≤-23dB/1.15	≤-23dB/1.15	≤-23dB/1.15
Group delay variation	< 400ns	< 250ns	< 450ns
Temperature Stability	< 2kHz/K		
Max Power Output	60 W		
Impedance	50 Ω		

Environmental Specifications

Operating Temperature Range	-10°C to +55°C
Max Operating Temperature (Body)	65°C
Relative humidity	5% - 95%
Barometric pressure	55 KPa -106KPa

anywavecom.net

300 Knightsbridge Parkway | Suite 150 | Lincolnshire | IL | 60069

Phone: +1 (847) 415 2258 Fax: +1 (847) 415 2112

UHF 60W Bandpass Filter

Product Specifications

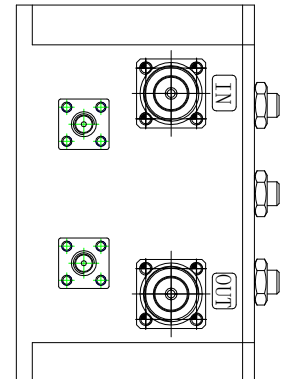
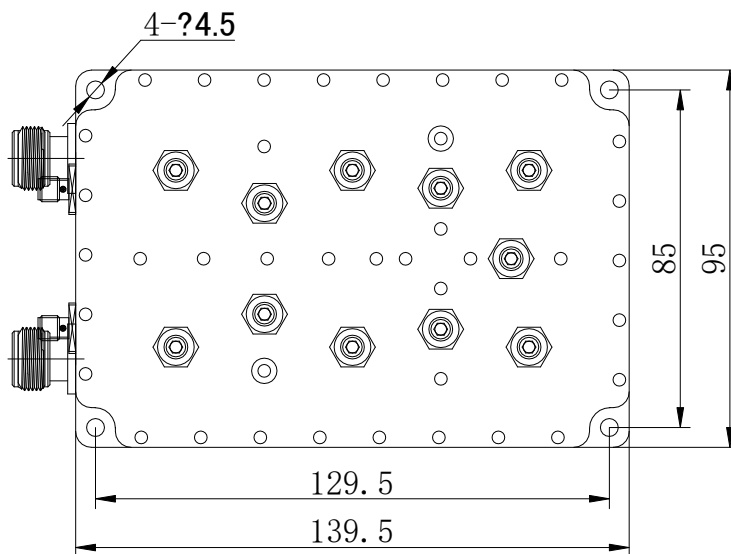
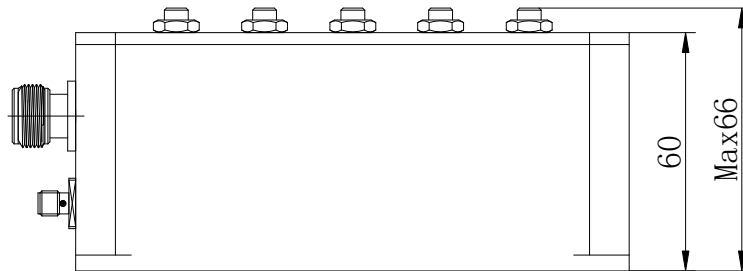
BPF-6-U-60-NF

Part Number: 202600.01



Mechanical Specifications

Connectors (Input /Output)	N female
Output Monitor Probe	SMA female
Weight	1kg
Outer Dimension(mm)	139.5*95*66mm
Mounting	Wall or pole
Packing	1Pce in box



anywavecom.net

300 Knightsbridge Parkway | Suite 150 | Lincolnshire | IL | 60069

Phone: +1 (847) 415 2258 Fax: +1 (847) 415 2112