

UHF 700W Bandpass Filter

Product Specifications

BPF-6-U-700-DF / 78 / 158

Part Number: 202610.01 / 202611.01 / 202612.01



Main Features

- 6 Pole
- 100mm Cavity Size
- Double Cross Coupling
- Full band Tunability
- Temperature Stabilization
- Output Monitor Probe

Electrical Specifications

Electrical Specifications			
Frequency range	470-806MHz		
ADJUSTING DATA	DVB-T/T2	ATSC 1.0/3.0	ISDB-T
Insertion Loss	$f(0) \leq 0.5\text{dB}$	$f(0) \leq 0.6\text{dB}$	$f(0) \leq 0.65\text{dB}$
	$f(0) \pm 3.8\text{MHz} \leq 1.3\text{dB}$	$f(0) \pm 2.7\text{MHz} \leq 0.8\text{dB}$	$f(0) \pm 2.79\text{MHz} \leq 1.4\text{dB}$
	$f(0) \pm 3.9\text{MHz} \leq 1.55\text{dB}$	$f(0) \pm 2.93\text{MHz} \leq 1.05\text{dB}$	
Attenuation	$f(0) \pm 4.2\text{MHz} \geq 4\text{dB}$	$f(0) \pm 3.5\text{MHz} \geq 10\text{dB}$	$f(0) \pm 3.15\text{MHz} \geq 7\text{dB}$
	$f(0) \pm 6.\text{MHz} \geq 20\text{dB}$	$f(0) \pm 6.\text{MHz} \geq 29\text{dB}$	$f(0) \pm 4.5\text{MHz} \geq 22\text{dB}$
	$f(0) \pm 12\text{MHz} \geq 41\text{dB}$	$f(0) \pm 9\text{MHz} \geq 63\text{dB}$	$f(0) \pm 9\text{MHz} \geq 47\text{dB}$
Harmonic Attenuation	$\geq 50\text{dB}$ up to 1.2GHz	$\geq 50\text{dB}$ up to 1.2GHz	$\geq 50\text{dB}$ up to 1.2GHz
Return loss / VSWR	$\leq -25\text{dB}/1.12$	$\leq -25\text{dB}/1.12$	$\leq -25\text{dB}/1.12$
Group Delay Variation	$< 400\text{ns}$	$< 250\text{ns}$	$< 450\text{ns}$
Temperature Stability	$< 1\text{kHz/K}$		
Max Power Output	700 W		
Impedance	50 Ω		

Environmental Specifications

Operating Temperature Range	-10°C to +55°C
Max Operating Temperature (Body)	65°C
Relative humidity	5% - 95%
Barometric pressure	55 KPa -106KPa

anywavecom.net

300 Knightsbridge Parkway | Suite 150 | Lincolnshire | IL | 60069

Phone: +1 (847) 415 2258 Fax: +1 (847) 415 2112

UHF 700W Bandpass Filter

Product Specifications

BPF-6-U-700-DF / 78 / 158

Part Number: 202610.01 / 202611.01 / 202612.01



Mechanical Specifications

Connector (Input / Output)	DIN female	202610.01
	7/8" EIA	202611.01
	1 5/8" EIA	202612.01
Output Monitor Probe	N Female	
Weight	8kg	
Outer Dimension (mm)	367.9 * 272 * 371.5mm	
Mounting	Wall or pole	
Packing	1 Piece per box	

anywavecom.net

300 Knightsbridge Parkway | Suite 150 | Lincolnshire | IL | 60069

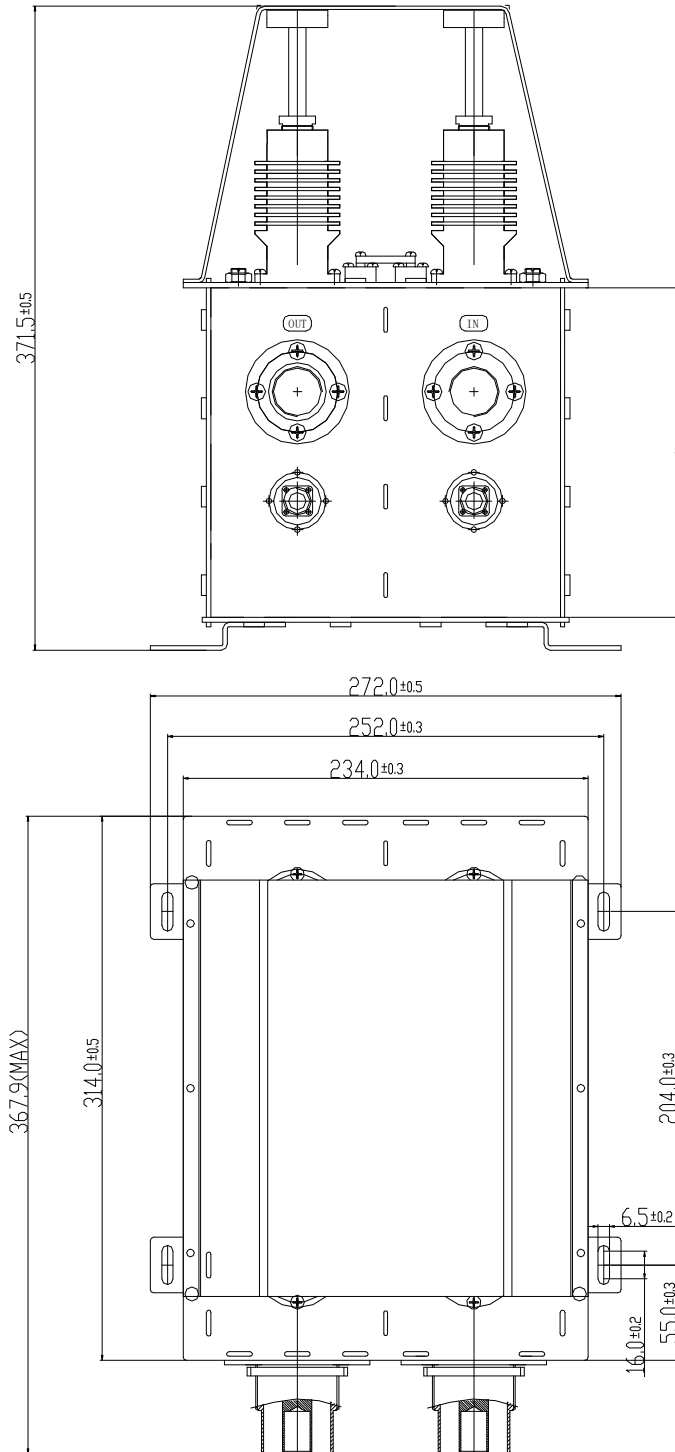
Phone: +1 (847) 415 2258 Fax: +1 (847) 415 2112

UHF 700W Bandpass Filter

Product Specifications

BPF-6-U-700-DF / 78 / 158

Part Number: 202610.01 / 202611.01 / 202612.01



anywavecom.net

300 Knightsbridge Parkway | Suite 150 | Lincolnshire | IL | 60069

Phone: +1 (847) 415 2258 Fax: +1 (847) 415 2112