

UHF 1.3kW Bandpass Filter

Product Specifications

BPF-6-VIII-1K3-DF / 78 / 158

Part Number: 202656.01 / 202657.01 / 202658.01



Main Features

- 6 Pole
- 150mm Cavity Size
- Double Cross Coupling
- Tunable Across Band
- Temperature Stabilization
- Output Monitor Probe

Electrical Specifications

Frequency range	174-240MHz
Insertion Loss	$f(0) \leq 0.4\text{dB}$
	$f(0) \pm 3\text{MHz} \leq 0.7\text{dB}$
Attenuation	$f(0) \pm 4\text{MHz} \geq 5\text{dB}$
	$f(0) \pm 4.5\text{MHz} \geq 11.7\text{dB}$
	$f(0) \pm 5\text{MHz} \geq 18\text{dB}$
	$f(0) \pm 6\text{MHz} \geq 30\text{dB}$
	$f(0) \pm 9\text{MHz} \geq 52\text{dB}$
Harmonic Attenuation	$\geq 36\text{dB}$ up to 500MHz
Return loss / VSWR	$\leq 23\text{dB}/1.15$
Group delay variation	$< 250\text{ns}$
Temperature Stability	$< 2\text{kHz/K}$
Max Power Output	1.3K W
Impedance	50 Ω

Environmental Specifications

Operating Temperature Range	-10°C to +55°C
Max Operating Temperature (Body)	65°C
Relative humidity	5% - 95%
Barometric pressure	55 KPa - 106KPa

anywavecom.net

300 Knightsbridge Parkway | Suite 150 | Lincolnshire | IL | 60069

Phone: +1 (847) 415 2258 Fax: +1 (847) 415 2112

UHF 1.3kW Bandpass Filter

Product Specifications

BPF-6-VIII-1K3-DF / 78 / 158

Part Number: 202656.01 / 202657.01 / 202658.01



Mechanical Specifications

Connectors (Input / Output)	DIN female	202656.01
	7/8" EIA	202657.01
	1 5/8" EIA	202658.01
Output Monitor Probe	N female	
Weight	25kg	
Outer Dimension (mm)	503 * 378.5 * 612mm	
Mounting	Wall	
Packing	1 Piece per box	

anywavecom.net

300 Knightsbridge Parkway | Suite 150 | Lincolnshire | IL | 60069

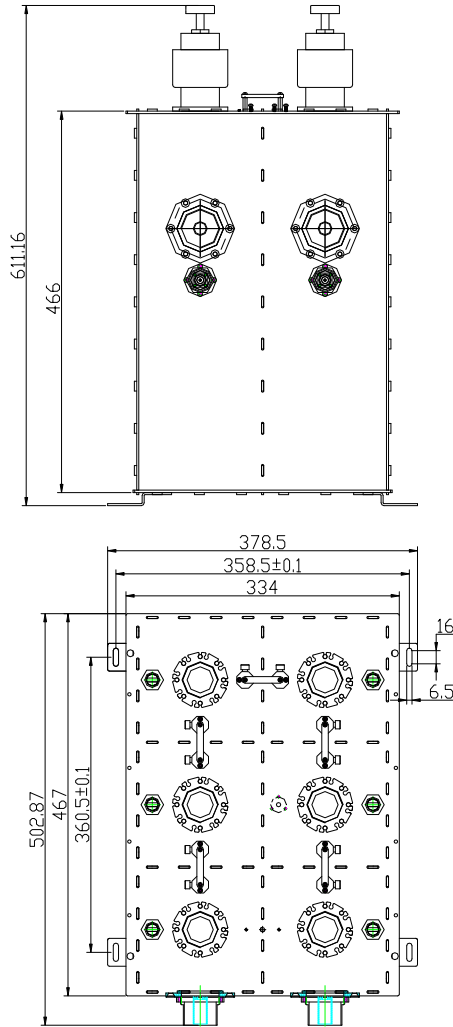
Phone: +1 (847) 415 2258 Fax: +1 (847) 415 2112

UHF 1.3kW Bandpass Filter

Product Specifications

BPF-6-VIII-1K3-DF / 78 / 158

Part Number: 202656.01 / 202657.01 / 202658.01



anywavecom.net

300 Knightsbridge Parkway | Suite 150 | Lincolnshire | IL | 60069

Phone: +1 (847) 415 2258 Fax: +1 (847) 415 2112