

UHF 1.1kW Bandpass Filter

Product Specifications

BPF-6-U-1K1-DF / 78 / 158

Part Number: 202613.01 / 202614.01 / 202615.01



Main Features

- 6-Pole
- 180mm Cavity Size
- Double Cross Coupling
- Full band Tunability
- Temperature Stabilization

Electrical Specifications

Frequency Range	470-806MHz		
Adjusting Data	DVB-T/T2	ATSC 1.0/3.0	ISDB-T
Insertion Loss	f(0):≤0.35dB	f(0):≤0.45dB	f(0):≤0.5dB
	f(0)±3.8MHz:≤1.05dB	f(0)±2.7MHz:≤0.8dB	f(0)±2.79MHz:≤1.12dB
	f(0)±3.9MHz:≤1.27dB	f(0)±2.93MHz:≤1.2dB	
Attenuation	f(0)±4.2MHz:≥4dB	f(0)±3.5MHz:≥10dB	f(0)±3.15MHz:≥7dB
	f(0)±6.MHz:≥20dB	f(0)±6.MHz:≥30dB	f(0)±4.5MHz:≥22dB
	f(0)±12MHz:≥41dB	f(0)±9MHz:≥50dB	f(0)±9MHz:≥47dB
Harmonic Attenuation	≥45dB	≥45dB	≥45dB
Return Loss / VSWR	≤-25dB/1.12	≤-25dB/1.12	≤-25dB/1.12
Temperature Stability	≤1kHz/K		
Max Power Output	1.1KW		
Directional Coupler			
Coupling	50±0.8dB		
Directivity	≥23dB		
VSWR	≤1.2		
Impedance	50Ω		

Environmental Specifications

Operating temperature range	-10°C to +55°C
Max Operating Temperature (Body)	65°C
Relative humidity	5% - 95%
Barometric pressure	55KPa -106KPa

anywavecom.net

300 Knightsbridge Parkway | Suite 150 | Lincolnshire | IL | 60069

Phone: +1 (847) 415 2258

Fax: +1 (847) 415 2112

UHF 1.1kW Bandpass Filter

Product Specifications

BPF-6-U-1K1-DF / 78 / 158

Part Number: 202613.01 / 202614.01 / 202615.01



Mechanical Specifications

Connectors: Input; Output	1 5/8" EIA or 1 5/8" Flange
Output Monitor Probe	N female
Weight	14kg
Outer Dimension(mm) (including connectors and mounting feet)	615*378*362mm(1 5/8"EIA) 626*378*362mm(1 5/8"Flange)
Packing Size	592*440*486mm
Mounting	Wall or pole
Packing	1Pce in box

anywavecom.net

300 Knightsbridge Parkway | Suite 150 | Lincolnshire | IL | 60069

Phone: +1 (847) 415 2258

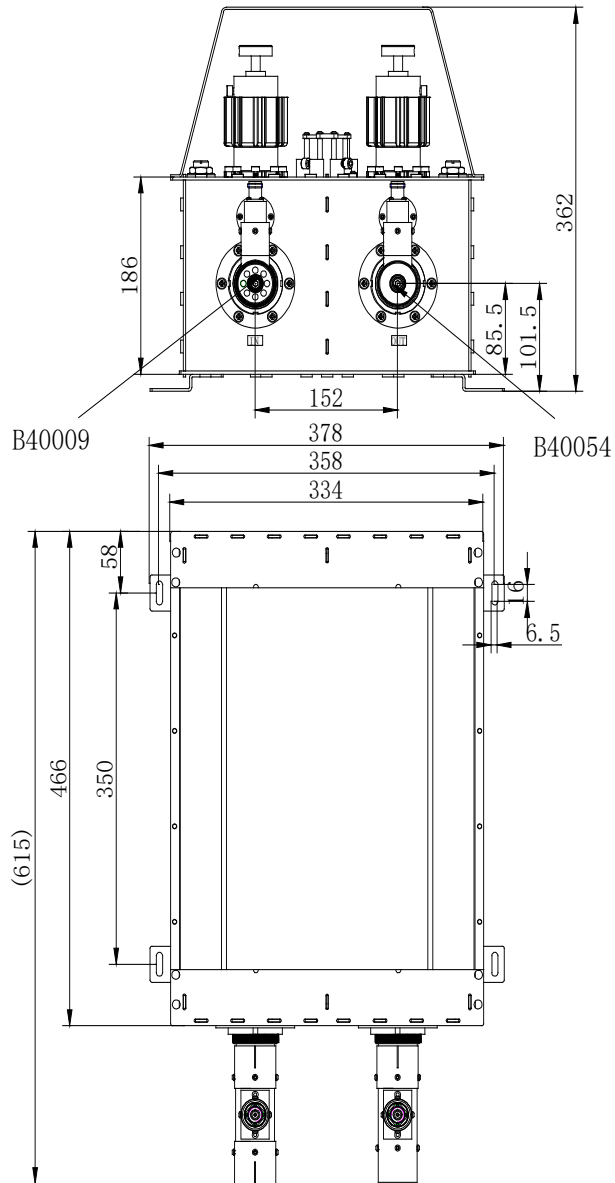
Fax: +1 (847) 415 2112

UHF 1.1kW Bandpass Filter

Product Specifications

BPF-6-U-1K1-DF / 78 / 158

Part Number: 202613.01 / 202614.01 / 202615.01



anywavecom.net

300 Knightsbridge Parkway | Suite 150 | Lincolnshire | IL | 60069

Phone: +1 (847) 415 2258

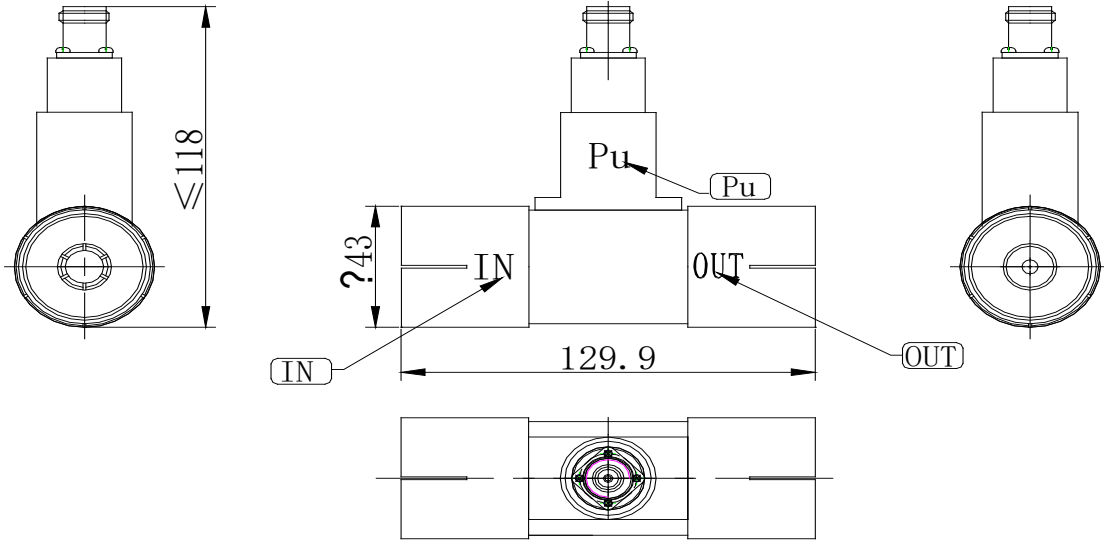
Fax: +1 (847) 415 2112

UHF 1.1kW Bandpass Filter

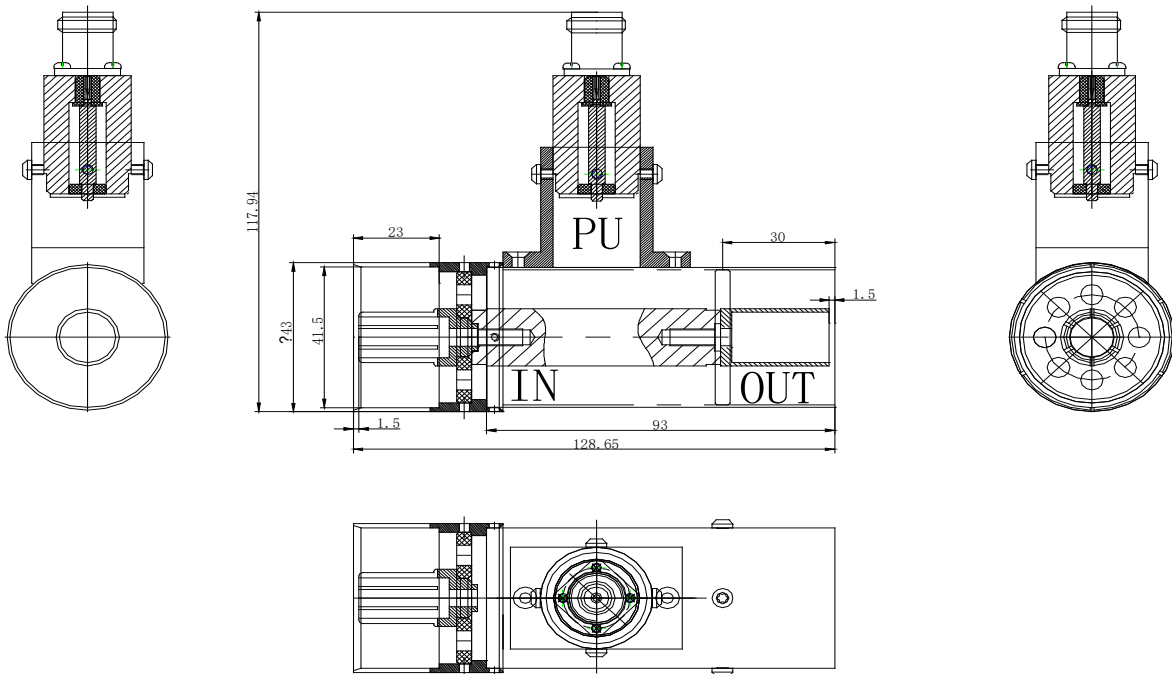
Product Specifications

BPF-6-U-1K1-DF / 78 / 158

Part Number: 202613.01 / 202614.01 / 202615.01



1-5/8 Diirectional
Coupler B40009



1-5/8 Diirectional
Coupler B40054

anywavecom.net

300 Knightsbridge Parkway | Suite 150 | Lincolnshire | IL | 60069

Phone: +1 (847) 415 2258

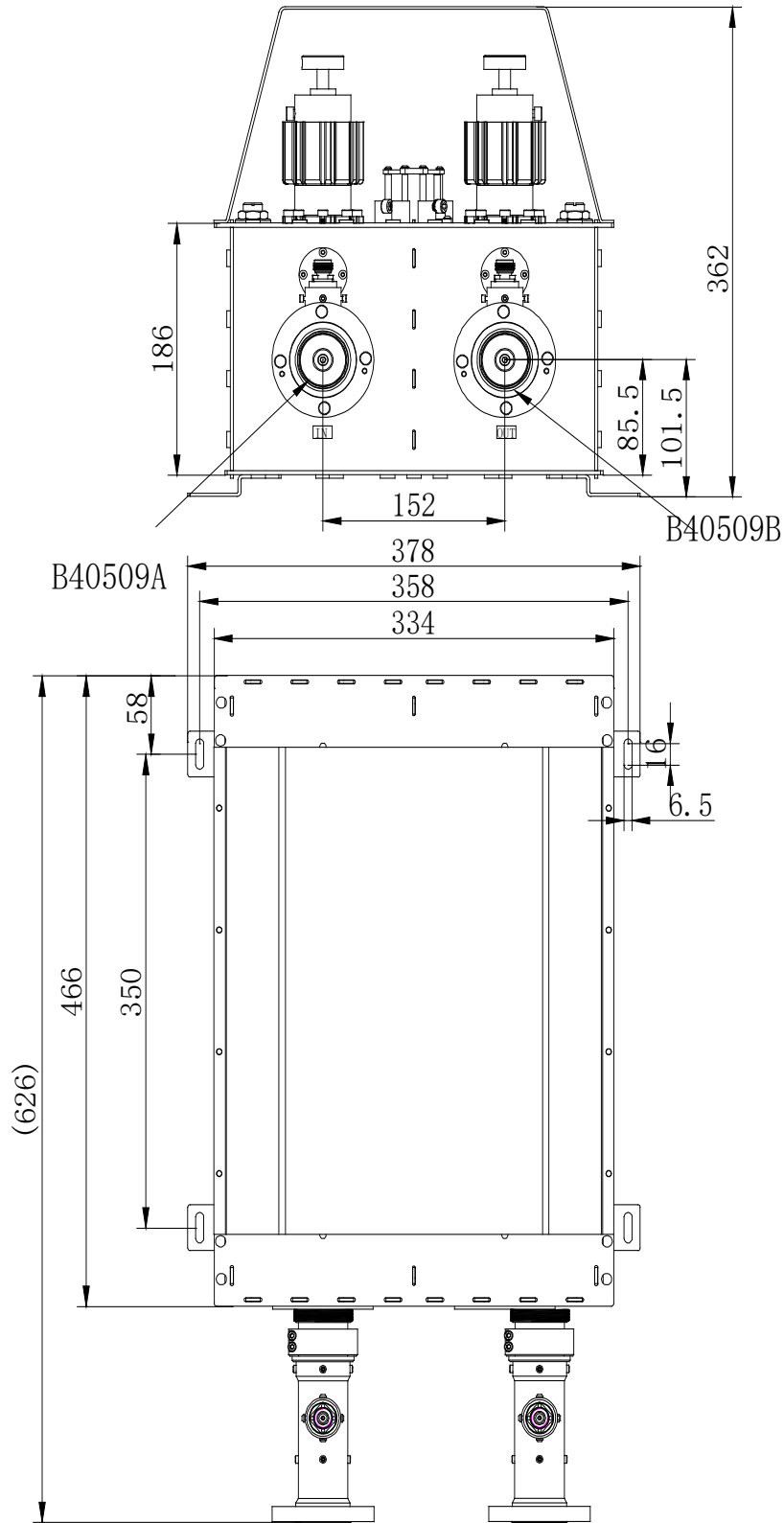
Fax: +1 (847) 415 2112

UHF 1.1kW Bandpass Filter

Product Specifications

BPF-6-U-1K1-DF / 78 / 158

Part Number: 202613.01 / 202614.01 / 202615.01



anywavecom.net

300 Knightsbridge Parkway | Suite 150 | Lincolnshire | IL | 60069

Phone: +1 (847) 415 2258

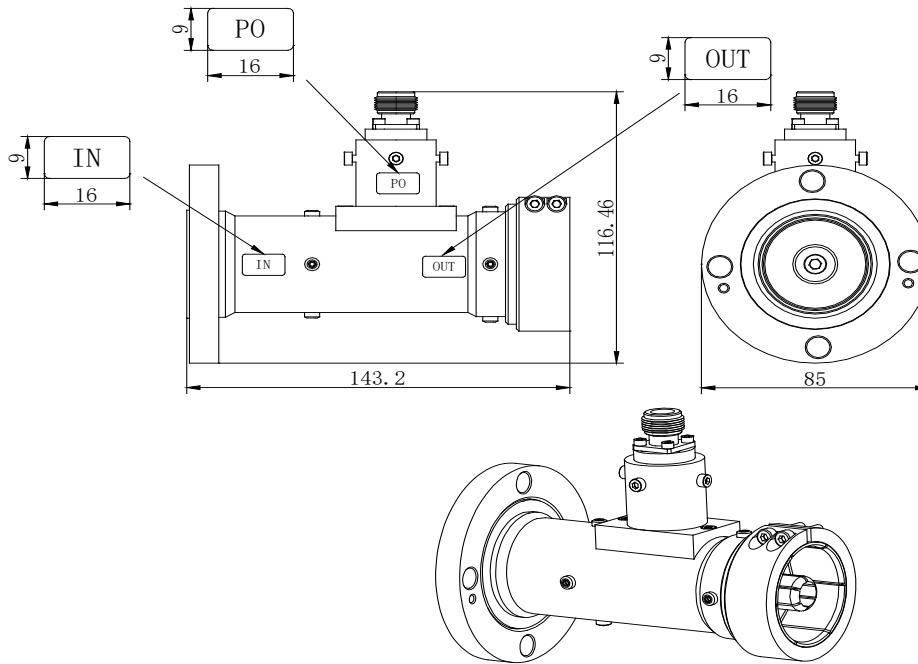
Fax: +1 (847) 415 2112

UHF 1.1kW Bandpass Filter

Product Specifications

BPF-6-U-1K1-DF / 78 / 158

Part Number: 202613.01 / 202614.01 / 202615.01



1-5/8 Flange Directional Coupler B40509A

anywavecom.net

300 Knightsbridge Parkway | Suite 150 | Lincolnshire | IL | 60069

Phone: +1 (847) 415 2258

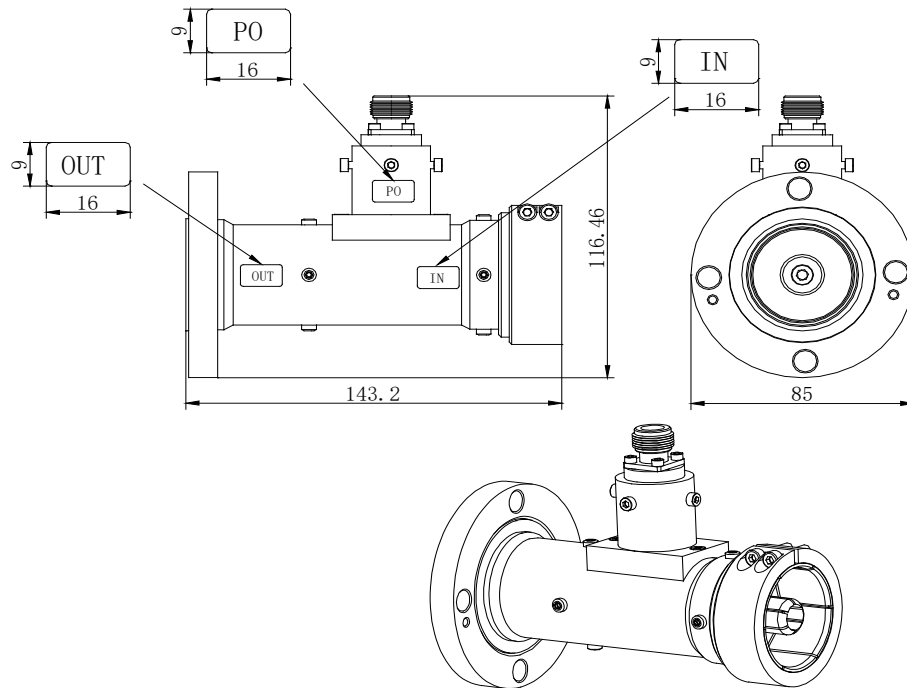
Fax: +1 (847) 415 2112

UHF 1.1kW Bandpass Filter

Product Specifications

BPF-6-U-1K1-DF / 78 / 158

Part Number: 202613.01 / 202614.01 / 202615.01



1-5/8 Flange Directional Coupler B40509B

anywavecom.net

300 Knightsbridge Parkway | Suite 150 | Lincolnshire | IL | 60069

Phone: +1 (847) 415 2258

Fax: +1 (847) 415 2112