



Main Features

- 6-Pole
- 60mm Cavity Size
- Double Cross Coupling
- 18MHz bandwidth Tunability
- Temperature Stabilization
- Output Monitor Probe

Electrical Specifications

Frequency Range	470-806MHz		
Adjusting Data	DVB-T/T2	ATSC 1.0/3.0	ISDB-T
Insertion Loss	f(0):≤0.6dB	f(0):≤0.7dB	f(0):≤0.75dB
	f(0)±3.8MHz:≤1.65dB	f(0)±2.7MHz:≤1.1dB	f(0)±2.79MHz:≤1.85dB
	f(0)±3.9MHz:≤2.05dB	f(0)±2.93MHz:≤1.4dB	
Attenuation	f(0)±4.2MHz:≥3dB	f(0)±3.5MHz:≥6dB	f(0)±3.15MHz:≥6dB
	f(0)±6.MHz:≥20dB	f(0)±6.MHz:≥30dB	f(0)±4.5MHz:≥22dB
	f(0)±12MHz:≥41dB	f(0)±9MHz:≥50dB	f(0)±9MHz:≥47dB
Harmonic Attenuation	≥80dB	≥80dB	≥80dB
Return Loss / VSWR	≤-23dB/1.15	≤-23dB/1.15	≤-23dB/1.15
Temperature Stability	≤2kHz/K		
Max Power Output	150W		
Directional Coupler			
Coupling	50±0.8dB		
Directivity	≥23dB		
VSWR	≤1.2		
Impedance	50Ω		

Environmental Specifications

Operating temperature range	-10°C to +55°C
Max Operating Temperature (Body)	65°C
Relative humidity	5% - 95%
Barometric pressure	55KPa -106KPa

UHF 150W Bandpass Filter

Product Specifications

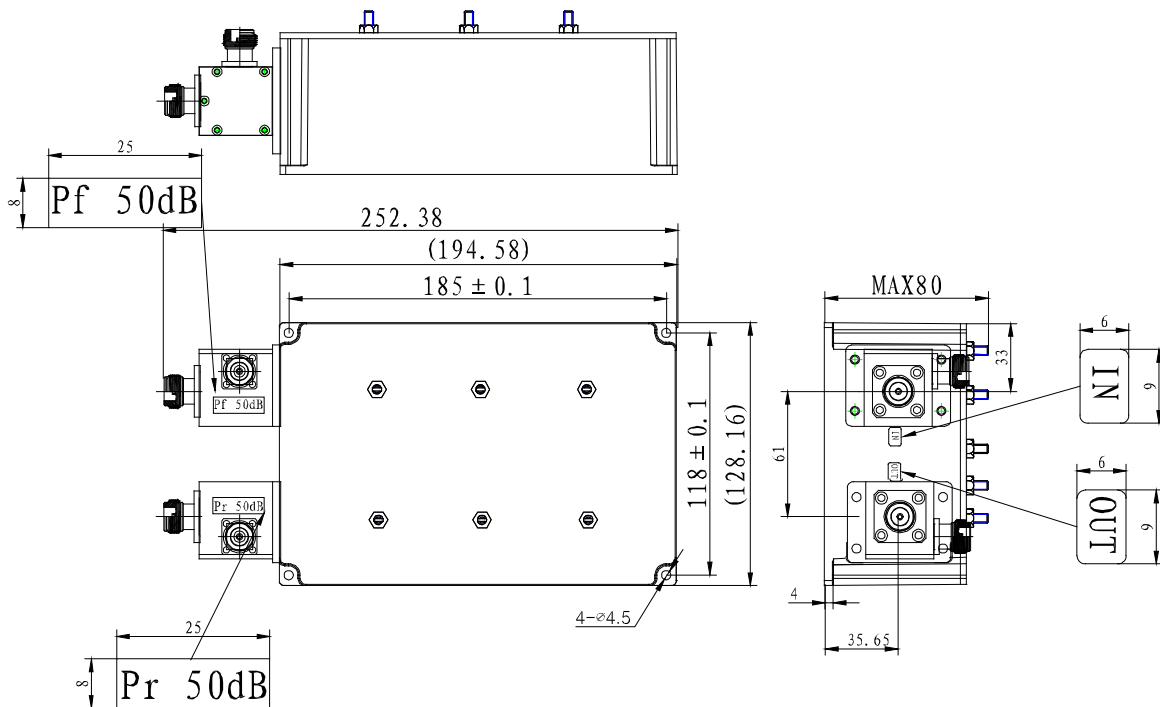
BPF-6-U-150-NF / DF / 78

Part Number: 202601.01 / 202602.01 / 202603.01



Mechanical Specifications

Connectors: Input; Output	N female or DIN female or 7/8" EIA
Output Monitor Probe	SMA female
Weight	1.8kg
Outer Dimension(mm)	252.4*128*80mm (N-F)
(including connectors and mounting feet)	264.8*128*80mm (N-F) 272.6*128*80mm (N-F)
Mounting	Wall or pole
Packing	1Pce in box



anywavecom.net

300 Knightsbridge Parkway | Suite 150 | Lincolnshire | IL | 60069

Phone: +1 (847) 415 2258

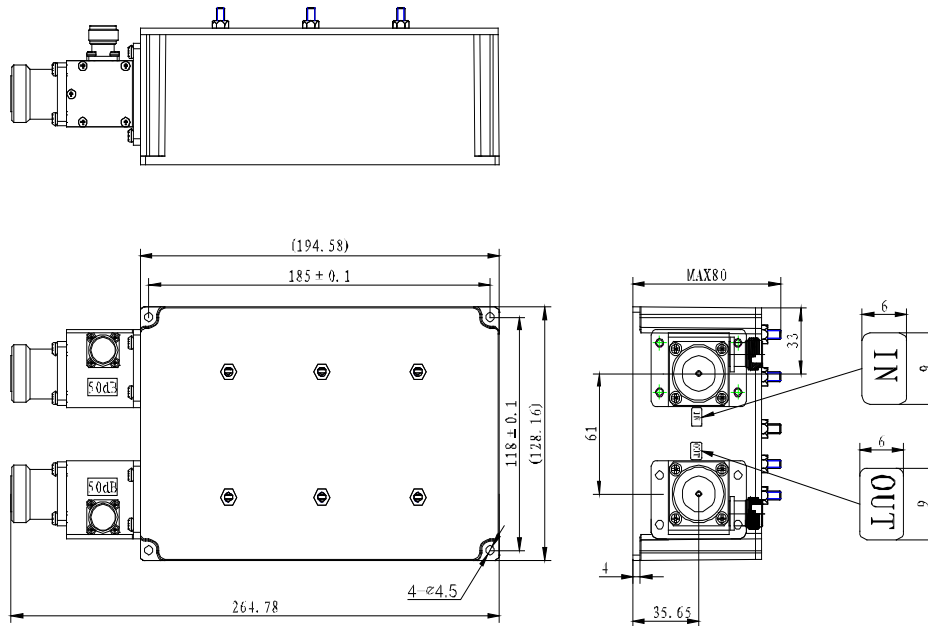
Fax: +1 (847) 415 2112

UHF 150W Bandpass Filter

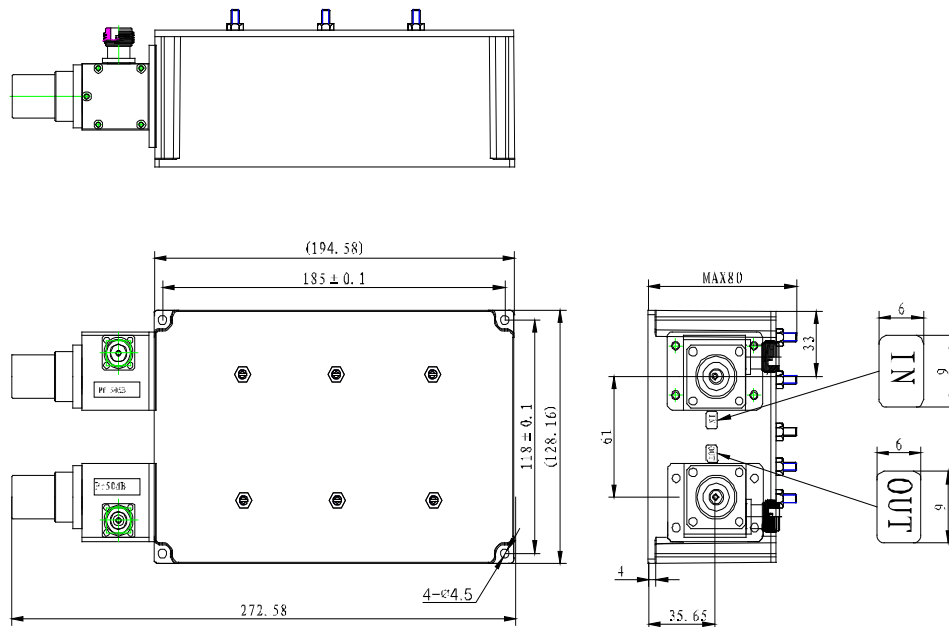
Product Specifications

BPF-6-U-150-NF / DF / 78

Part Number: 202601.01 / 202602.01 / 202603.01



150W 8 Pole DIN-F Filter



150W 8 Pole 7/8-F Filter

anywavecom.net

300 Knightsbridge Parkway | Suite 150 | Lincolnshire | IL | 60069

Phone: +1 (847) 415 2258

Fax: +1 (847) 415 2112