

UHF 3kW Bandpass Filter

Product Specifications

BPF-8-U-3K-DF / 78 / 158

Part Number: 202640.01 / 202641.01 / 202642.01



Main Features

- 8-Pole
- 220mm Cavity Size
- Double Cross Coupling
- Full band Tunability
- Temperature Stabilization
- Output Monitor Probe

Electrical Specifications

Frequency Range	470-806MHz		
Adjusting Data	DVB-T/T2	ATSC 1.0/3.0	ISDB-T
Insertion Loss	f(0):≤0.45dB	f(0):≤0.55dB	f(0):≤0.65dB
	f(0)±3.8MHz:≤1.1dB	f(0)±2.7MHz:≤0.85dB	f(0)±2.79MHz:≤1.15dB
	f(0)±3.9MHz:≤1.3dB	f(0)±2.93MHz:≤1.0dB	
Attenuation	f(0)±4.2MHz:≥4dB	f(0)±3.5MHz:≥10dB	f(0)±3.15MHz:≥7dB
	f(0)±6.MHz:≥30dB	f(0)±6.MHz:≥48dB	f(0)±4.5MHz:≥31dB
	f(0)±12MHz:≥51dB	f(0)±9MHz:≥65dB	f(0)±9MHz:≥61dB
Harmonic Attenuation	≥45dB	≥45dB	≥45dB
Return Loss / VSWR	≤-25dB/1.12	≤-25dB/1.12	≤-25dB/1.12
Temperature Stability	≤1kHz/K		
Max Power Output	3.5KW		
Directional Coupler			
Coupling	50±0.8dB		
Directivity	≥23dB		
VSWR	≤1.2		
Impedance	50Ω		

Environmental Specifications

Operating temperature range	-10°C to +55°C
Max Operating Temperature (Body)	65°C
Relative humidity	5% - 95%
Barometric pressure	55KPa -106KPa

anywavecom.net

300 Knightsbridge Parkway | Suite 150 | Lincolnshire | IL | 60069

Phone: +1 (847) 415 2258

Fax: +1 (847) 415 2112

UHF 3kW Bandpass Filter

Product Specifications

BPF-8-U-3K-DF / 78 / 158

Part Number: 202640.01 / 202641.01 / 202642.01



Mechanical Specifications

Connectors: Input; Output	1 5/8" EIA or 1 5/8" Flange or 31/8" EIA
Output Monitor Probe	N female
Weight	51kg
Outer Dimension(mm) (including connectors and mounting feet)	1106*573*470mm (1 5/8" EIA) 1106*573*470mm (1 5/8" Flange)
Packing Size	1142*609*596mm
Mounting	Wall
Packing	1Pce in box

anywavecom.net

300 Knightsbridge Parkway | Suite 150 | Lincolnshire | IL | 60069

Phone: +1 (847) 415 2258

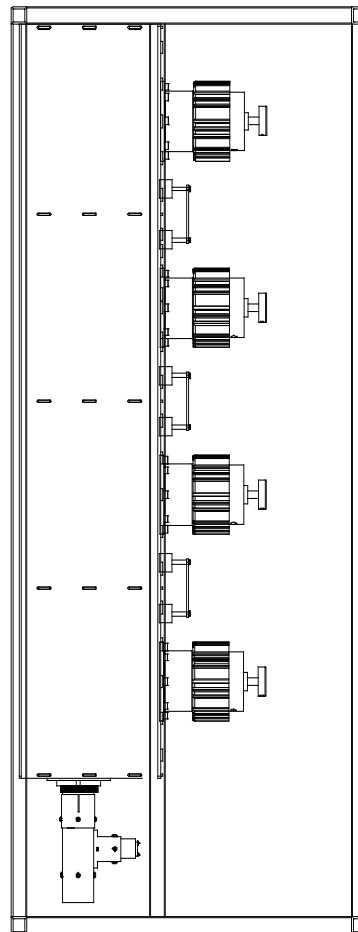
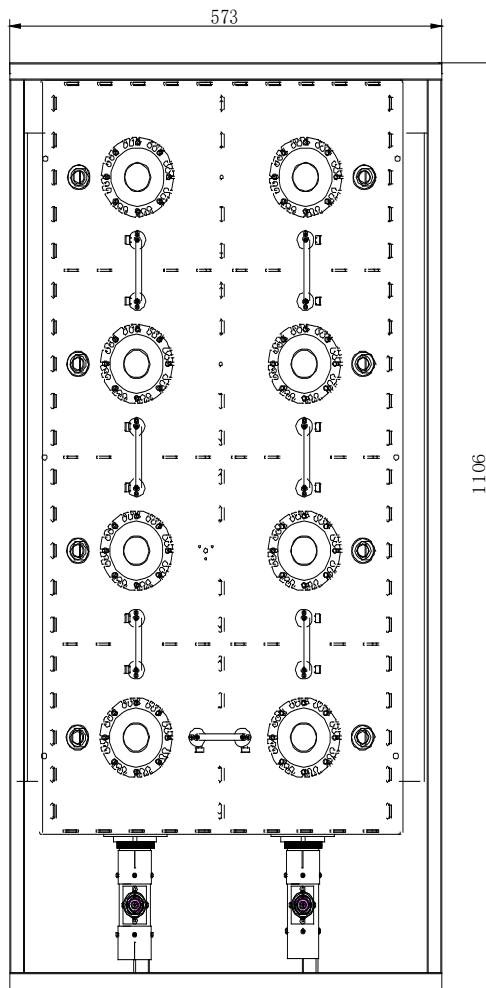
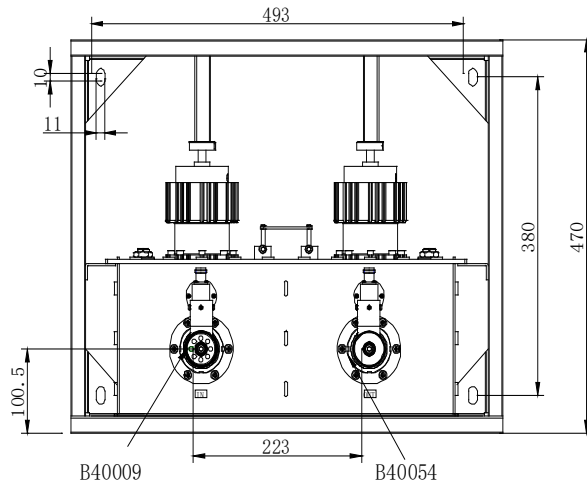
Fax: +1 (847) 415 2112

UHF 3kW Bandpass Filter

Product Specifications

BPF-8-U-3K-DF / 78 / 158

Part Number: 202640.01 / 202641.01 / 202642.01



3KW 8 pole 1-5/8'' EIA Filter

anywavecom.net

300 Knightsbridge Parkway | Suite 150 | Lincolnshire | IL | 60069

Phone: +1 (847) 415 2258

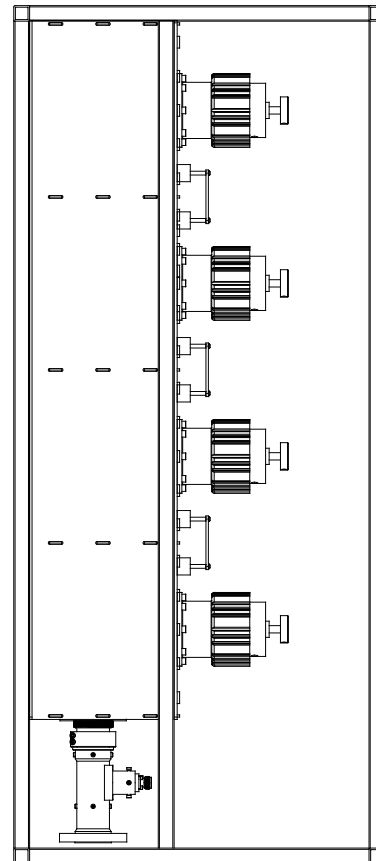
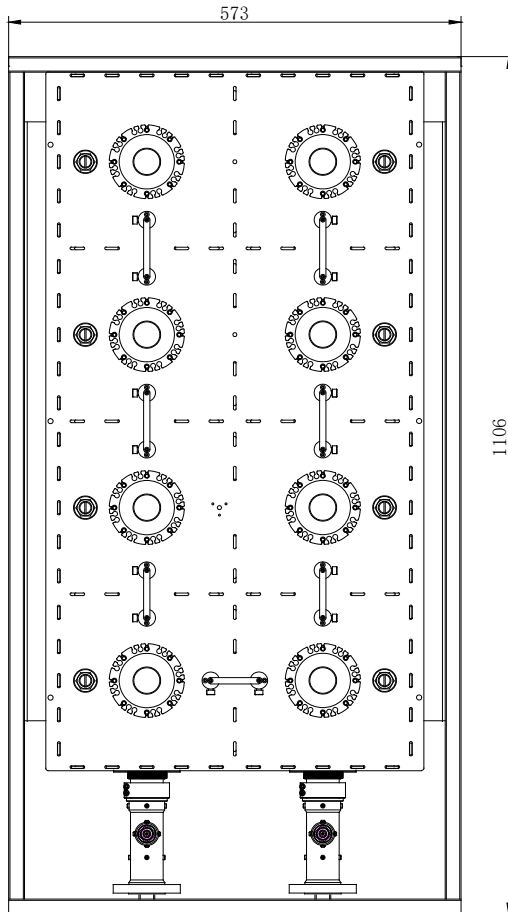
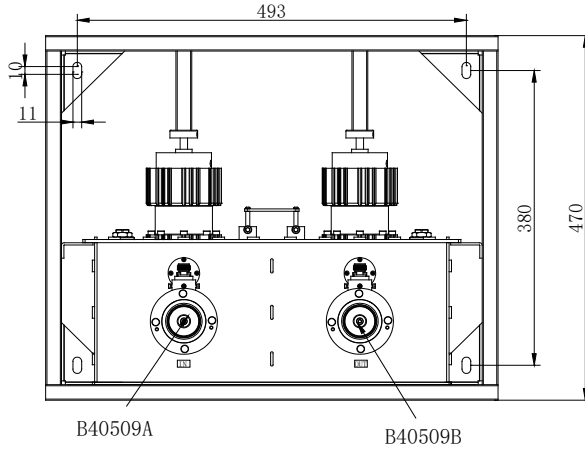
Fax: +1 (847) 415 2112

UHF 3kW Bandpass Filter

Product Specifications

BPF-8-U-3K-DF / 78 / 158

Part Number: 202640.01 / 202641.01 / 202642.01



3KW 8 pole 1-5/8' Flange Filter

anywavecom.net

300 Knightsbridge Parkway | Suite 150 | Lincolnshire | IL | 60069

Phone: +1 (847) 415 2258

Fax: +1 (847) 415 2112