

Hybrid Combiner (5kW)

Product Specifications

HC-5K-UHF-158

Part Number: 200811.01



Main Features

- Copper, Silver-plated Brass, and High Quality Aluminum Alloy
- High Isolation
- Compact Design
- Custom Design is Available

Electrical Specifications

Frequency	470-860MHz
VSWR	≤1.10
Distribution loss	3.0±0.3dB
Isolation	≥30dB minimum
Max RMS Output Power	5K W
Phase Response	0° /-90° (±1°)
Impedance	50 Ω

Environmental Specifications

Operating Temperature Range	-5°C to +55°C
Storage Temperature Range	-40°C to +85°C
Relative Humidity	5% - 95%
Barometric Pressure	55 KPa -106KPa

Mechanical Specifications

Connectors type	1 5/8" EIA	200811.01
Weight	5kg	
Outer Dimension (mm)	249 * 87 * 78.3mm	
Packing	1 Piece per box	

anywavecom.net

300 Knightsbridge Parkway | Suite 150 | Lincolnshire | IL | 60069

Phone: +1 (847) 415 2258

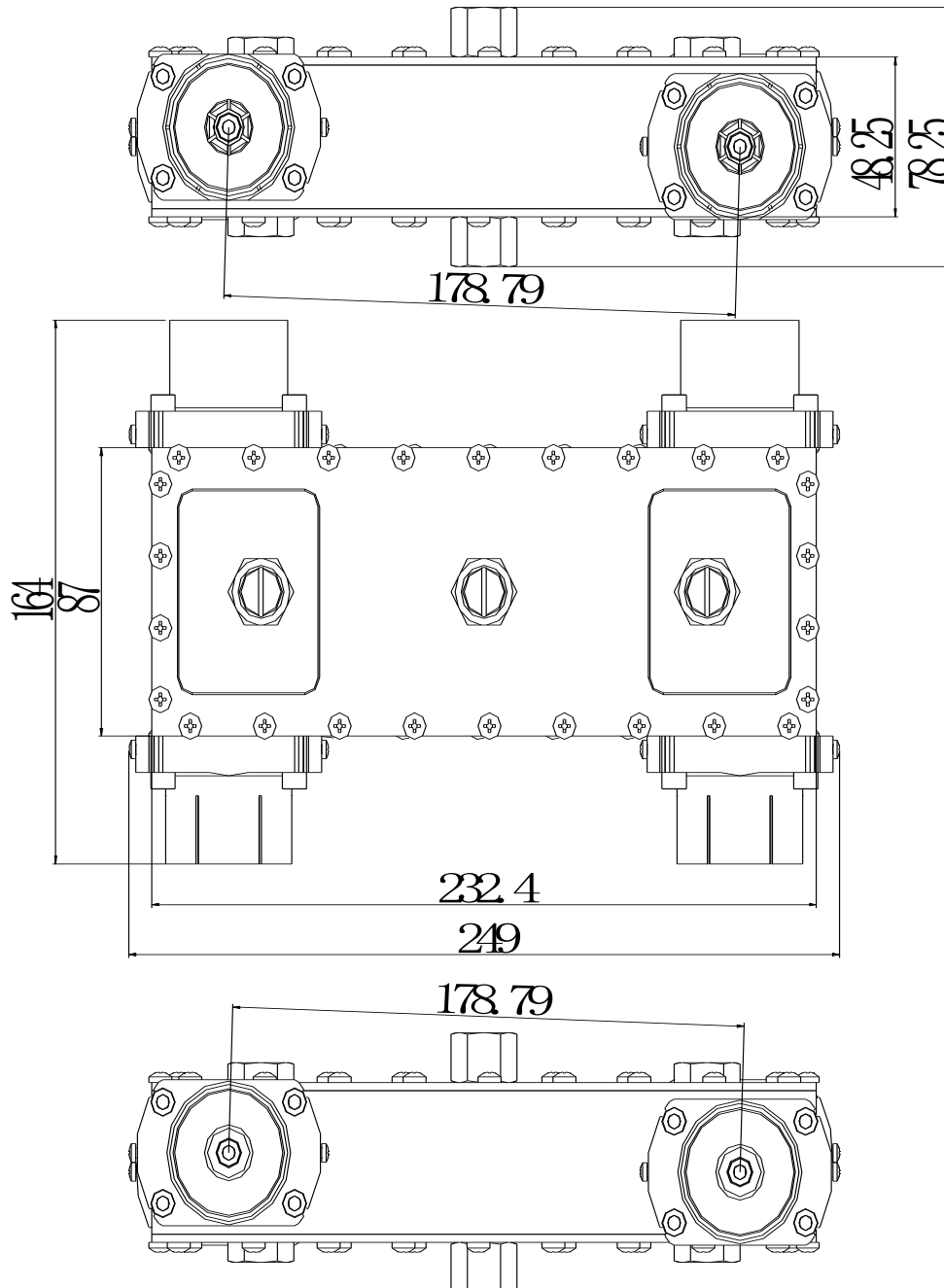
Fax: +1 (847) 415 2112

Hybrid Combiner (5kW)

Product Specifications

HC-5K-UHF-158

Part Number: 200811.01



anywavecom.net

300 Knightsbridge Parkway | Suite 150 | Lincolnshire | IL | 60069

Phone: +1 (847) 415 2258

Fax: +1 (847) 415 2112