



### Main Features

- 6- Pole
- 250mm Cavity Size
- Double Cross Coupling
- Full band Tunability
- Temperature Stabilization
- Output Monitor Probe

### Electrical Specifications

Frequency Range	470-806MHz		
Adjusting Data	DVB-T/T2	ATSC 1.0/3.0	ISDB-T
Insertion Loss	f(0):≤0.3dB	f(0):≤0.35dB	f(0):≤0.4dB
	f(0)±3.8MHz:≤0.8dB	f(0)±2.7MHz:≤0.6dB	f(0)±2.79MHz:≤1.0dB
	f(0)±3.9MHz:≤1.0dB	f(0)±2.93MHz:≤0.75dB	
Attenuation	f(0)±4.2MHz:≥4dB	f(0)±3.5MHz:≥10dB	f(0)±3.15MHz:≥7dB
	f(0)±6.MHz:≥20dB	f(0)±6.MHz:≥30dB	f(0)±4.5MHz:≥22dB
	f(0)±12MHz:≥41dB	f(0)±9MHz:≥50dB	f(0)±9MHz:≥47dB
Harmonic Attenuation	≥45dB	≥45dB	≥45dB
Return loss / VSWR	≤-25dB/1.12	≤-25dB/1.12	≤-25dB/1.12
Temperature Stability	≤1kHz/K		
Max Power Output	5.5KW		
Directional Coupler			
Coupling	50±0.8dB		
Directivity	≥23dB		
VSWR	≤1.2		
Impedance	50Ω		

### Environmental Specifications

Operating temperature range	-10°C to +55°C
Max Operating Temperature (Body)	65°C
Relative humidity	5% - 95%
Barometric pressure	55KPa -106KPa

# UHF 5kW Bandpass Filter

## Product Specifications

BPF-6-U-5k-158 / 318

Part Number: 202620.01 / 202621.01



### Mechanical Specifications

Connectors: Input; Output	1 5/8" EIA or 1 5/8" Flange or 3 1/8" EIA
Output Monitor Probe	N female
Weight	50kg
Outer Dimension(mm) (including connectors and mounting feet)	977*640*470mm(1 5/8" EIA ) 977*640*470mm(1 5/8" EIA Input; 3 1/8" EIA Output) 977*640*470mm(1 5/8" Flange)
Packing Size	1013*676*596mm
Mounting	Wall
Packing	1Pce in box

[anywavecom.net](http://anywavecom.net)

300 Knightsbridge Parkway | Suite 150 | Lincolnshire | IL | 60069

Phone: +1 (847) 415 2258

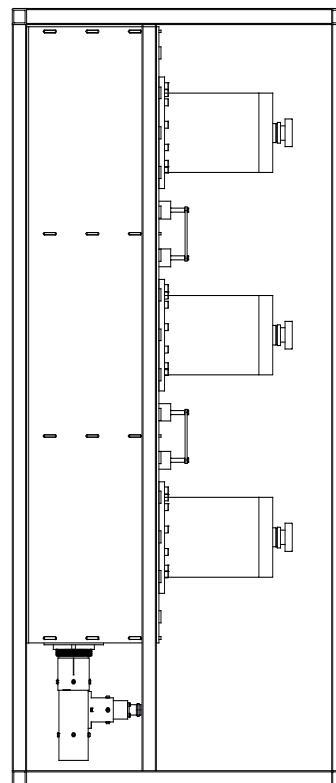
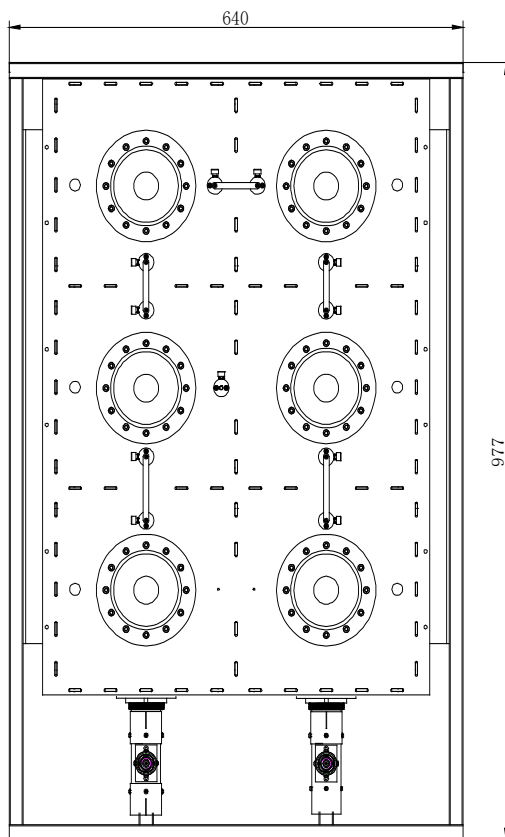
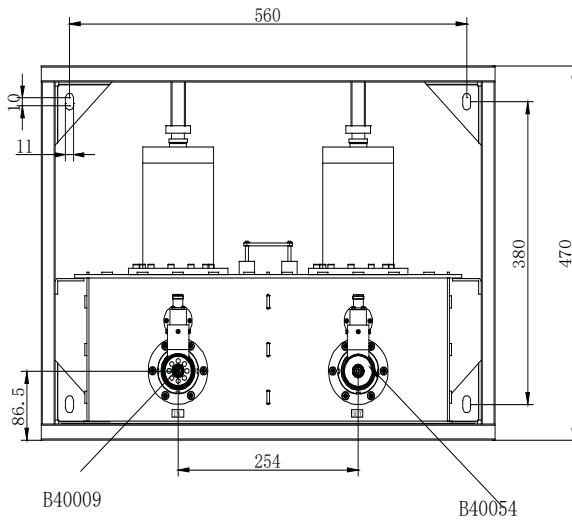
Fax: +1 (847) 415 2112

# UHF 5kW Bandpass Filter

# Product Specifications

BPF-6-U-5k-158 / 318

Part Number: 202620.01 / 202621.01



5KW 6pole 1-5/8' EIA Filter

[anywavecom.net](http://anywavecom.net)

300 Knightsbridge Parkway | Suite 150 | Lincolnshire | IL | 60069

Phone: +1 (847) 415 2258

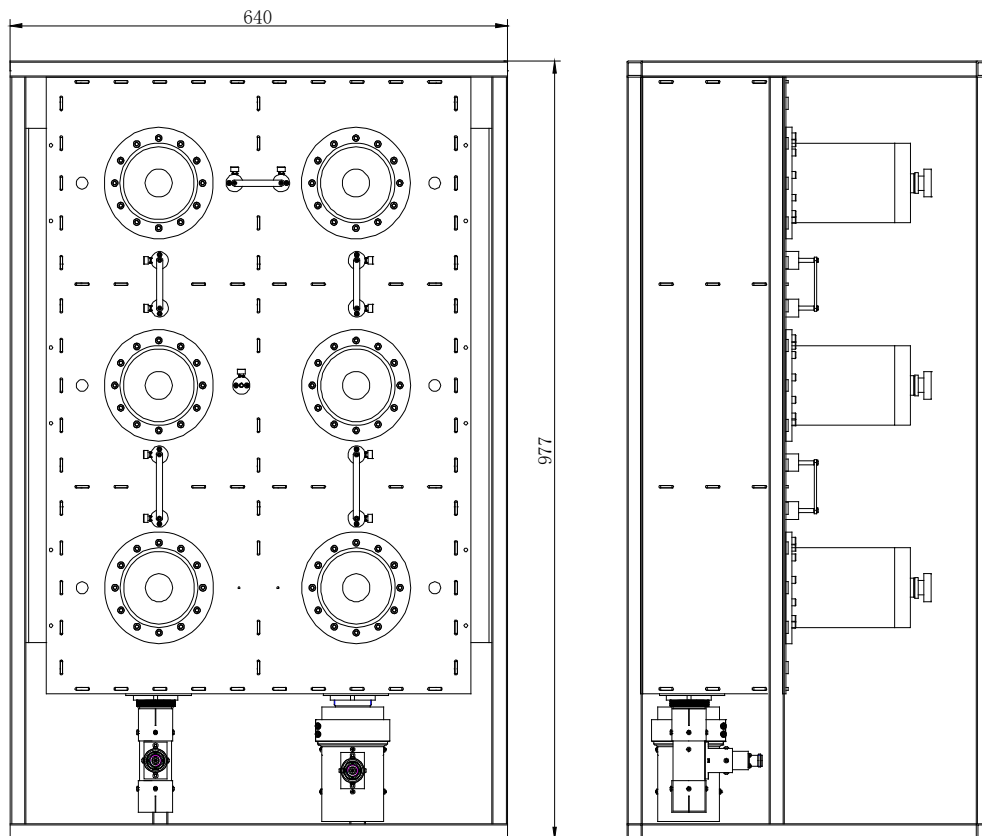
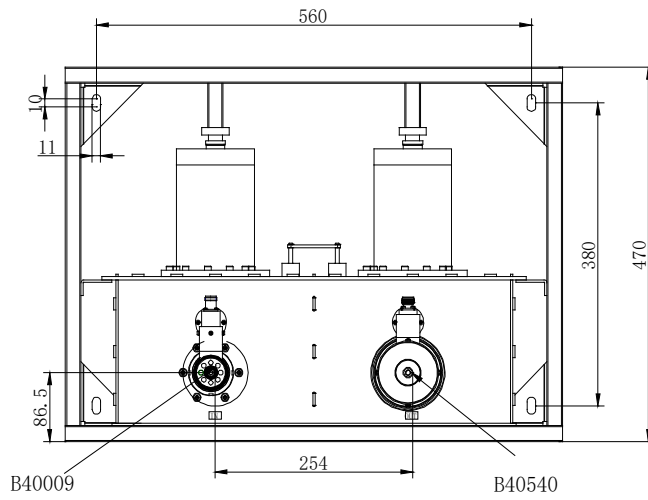
Fax: +1 (847) 415 2112

# UHF 5kW Bandpass Filter

# Product Specifications

BPF-6-U-5k-158 / 318

Part Number: 202620.01 / 202621.01



5KW 6pole 1-5/8'' EIA input  
3-1/8'' EIA Output Filter

[anywavecom.net](http://anywavecom.net)

300 Knightsbridge Parkway | Suite 150 | Lincolnshire | IL | 60069

Phone: +1 (847) 415 2258

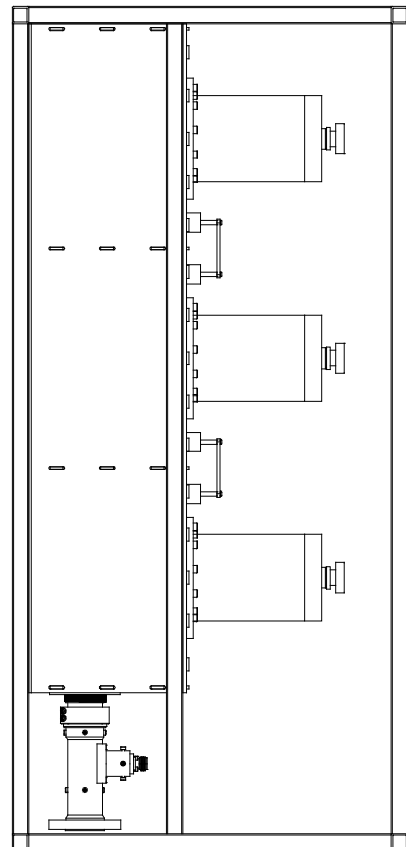
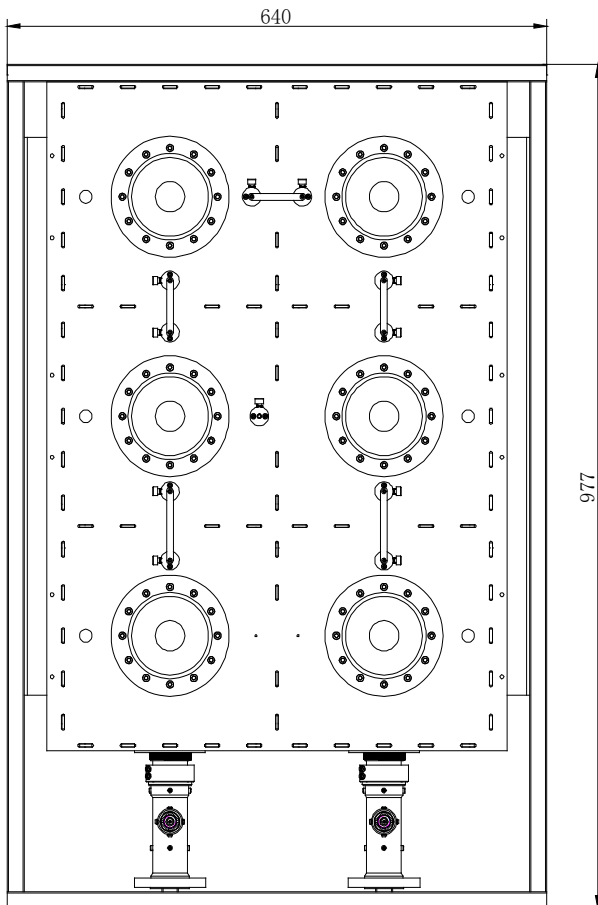
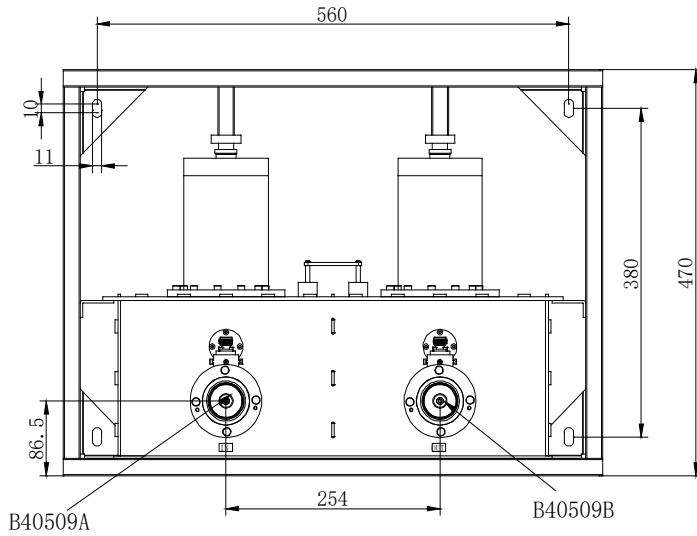
Fax: +1 (847) 415 2112

# UHF 5kW Bandpass Filter

# Product Specifications

BPF-6-U-5k-158 / 318

Part Number: 202620.01 / 202621.01



## 5KW 6pole 1-5/8'' Flange Filter

[anywavecom.net](http://anywavecom.net)

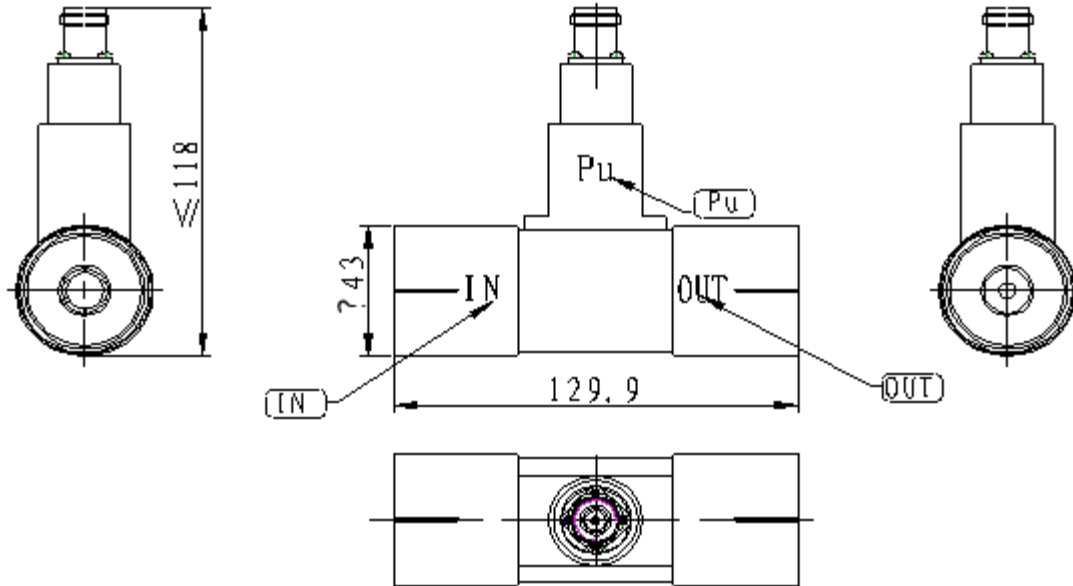
300 Knightsbridge Parkway | Suite 150 | Lincolnshire | IL | 60069

Phone: +1 (847) 415 2258

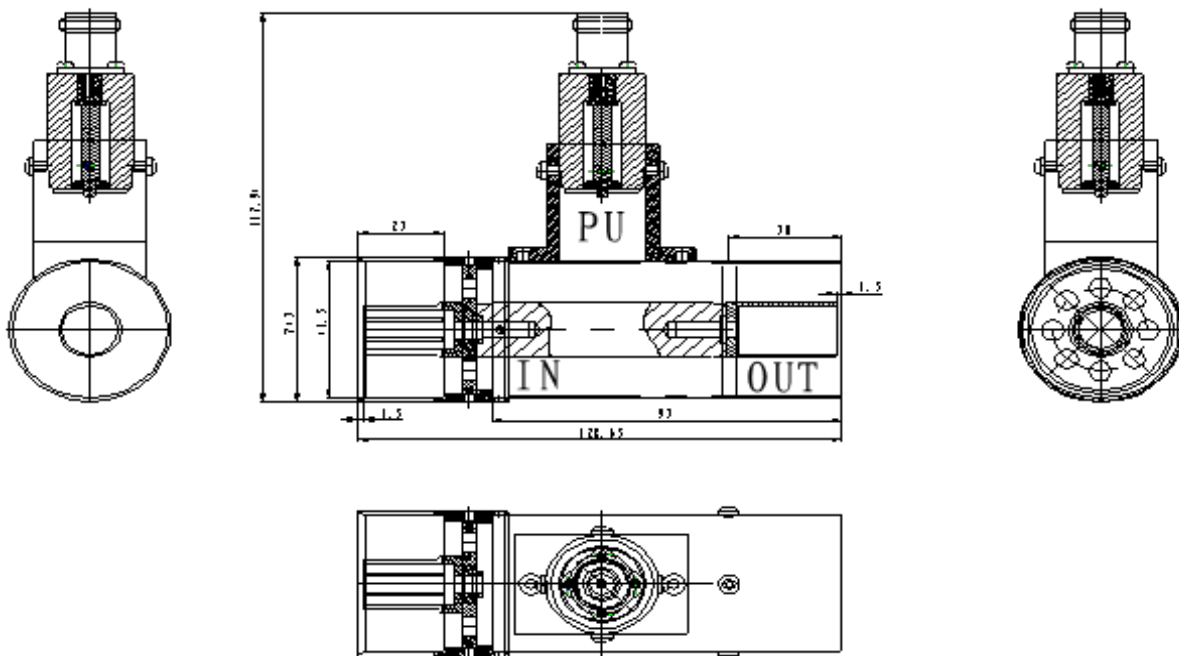
Fax: +1 (847) 415 2112

BPF-6-U-5k-158 / 318

Part Number: 202620.01 / 202621.01



1-5/8 Diirectional  
Coupler B40009



1-5/8 Diirectional  
Coupler B40054

[anywavecom.net](http://anywavecom.net)

300 Knightsbridge Parkway | Suite 150 | Lincolnshire | IL | 60069

Phone: +1 (847) 415 2258

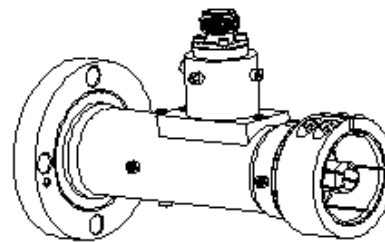
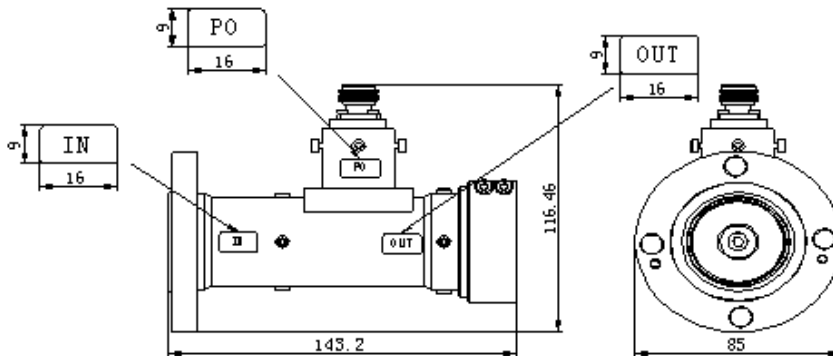
Fax: +1 (847) 415 2112

# UHF 5kW Bandpass Filter

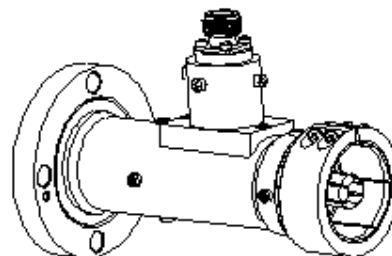
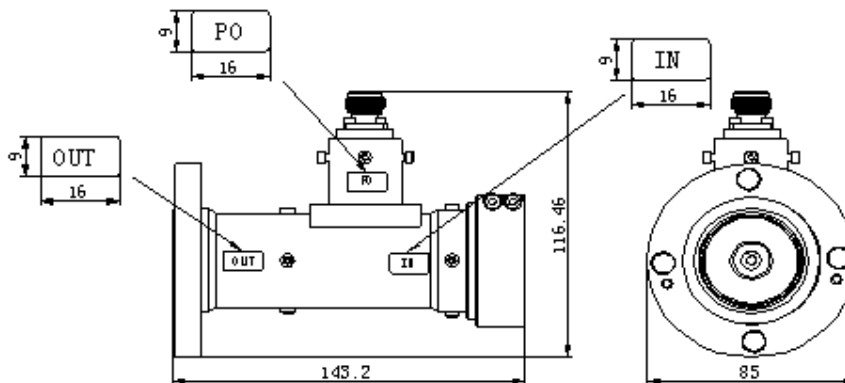
# Product Specifications

BPF-6-U-5k-158 / 318

Part Number: 202620.01 / 202621.01



1-5/8 Flange Directional Coupler B40509A



1-5/8 Flange Directional Coupler B40509B

[anywavecom.net](http://anywavecom.net)

300 Knightsbridge Parkway | Suite 150 | Lincolnshire | IL | 60069

Phone: +1 (847) 415 2258

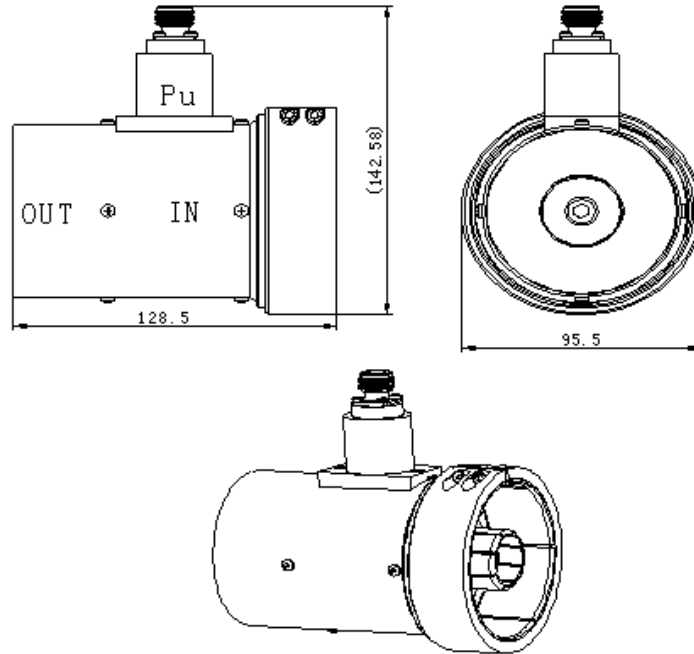
Fax: +1 (847) 415 2112

# UHF 5kW Bandpass Filter

# Product Specifications

BPF-6-U-5k-158 / 318

Part Number: 202620.01 / 202621.01



3-1/8" EIA Directional  
Coupler B40540

[anywavecom.net](http://anywavecom.net)

300 Knightsbridge Parkway | Suite 150 | Lincolnshire | IL | 60069

Phone: +1 (847) 415 2258

Fax: +1 (847) 415 2112