

UHF 700W Bandpass Filter

Product Specifications

BPF-6-U-700-DF / 78 / 158

Part Number: 202610.01 / 202611.01 / 202612.01



Main Features

- 6-Pole
- 100mm Cavity Size
- Double Cross Coupling
- Full band Tunability
- Temperature Stabilization
- Output Monitor Probe

Electrical Specifications

Frequency Range	470-806MHz		
Adjusting Data	DVB-T/T2	ATSC 1.0/3.0	ISDB-T
Insertion Loss	f(0):≤0.5dB	f(0):≤0.6dB	f(0):≤0.65dB
	f(0)±3.8MHz:≤1.3dB	f(0)±2.7MHz:≤0.95dB	f(0)±2.79MHz:≤1.4dB
	f(0)±3.9MHz:≤1.55dB	f(0)±2.93MHz:≤1.15dB	
Attenuation	f(0)±4.2MHz:≥4dB	f(0)±3.5MHz:≥6dB	f(0)±3.15MHz:≥7dB
	f(0)±6.MHz:≥20dB	f(0)±6.MHz:≥30dB	f(0)±4.5MHz:≥22dB
	f(0)±12MHz:≥41dB	f(0)±9MHz:≥50dB	f(0)±9MHz:≥47dB
Harmonic Attenuation	≥45dB	≥45dB	≥45dB
Return Loss / VSWR	≤-25dB/1.12	≤-25dB/1.12	≤-25dB/1.12
Temperature Stability	≤1kHz/K		
Max Power Output	700W		
Directional Coupler			
Coupling	50±0.8dB		
Directivity	≥23dB		
VSWR	≤1.2		
Impedance	50Ω		

Environmental Specifications

Operating temperature range	-10°C to +55°C
Max Operating Temperature (Body)	65°C
Relative humidity	5% - 95%
Barometric pressure	55KPa -106KPa

anywavecom.net

300 Knightsbridge Parkway | Suite 150 | Lincolnshire | IL | 60069

Phone: +1 (847) 415 2258

Fax: +1 (847) 415 2112

UHF 700W Bandpass Filter

Product Specifications

BPF-6-U-700-DF / 78 / 158

Part Number: 202610.01 / 202611.01 / 202612.01



Mechanical Specifications

Connectors: Input; Output	DIN female or 7/8" EIA or 1 5/8" EIA
Output Monitor Probe	N female
Weight	8kg
Outer Dimension(mm) (including connectors and mounting feet)	417*272*372mm(DIN-F); 437*272*372mm(7/8" EIA)
Packing Size	434*332*416mm
Mounting	Wall or pole
Packing	1Pce in box

anywavecom.net

300 Knightsbridge Parkway | Suite 150 | Lincolnshire | IL | 60069

Phone: +1 (847) 415 2258

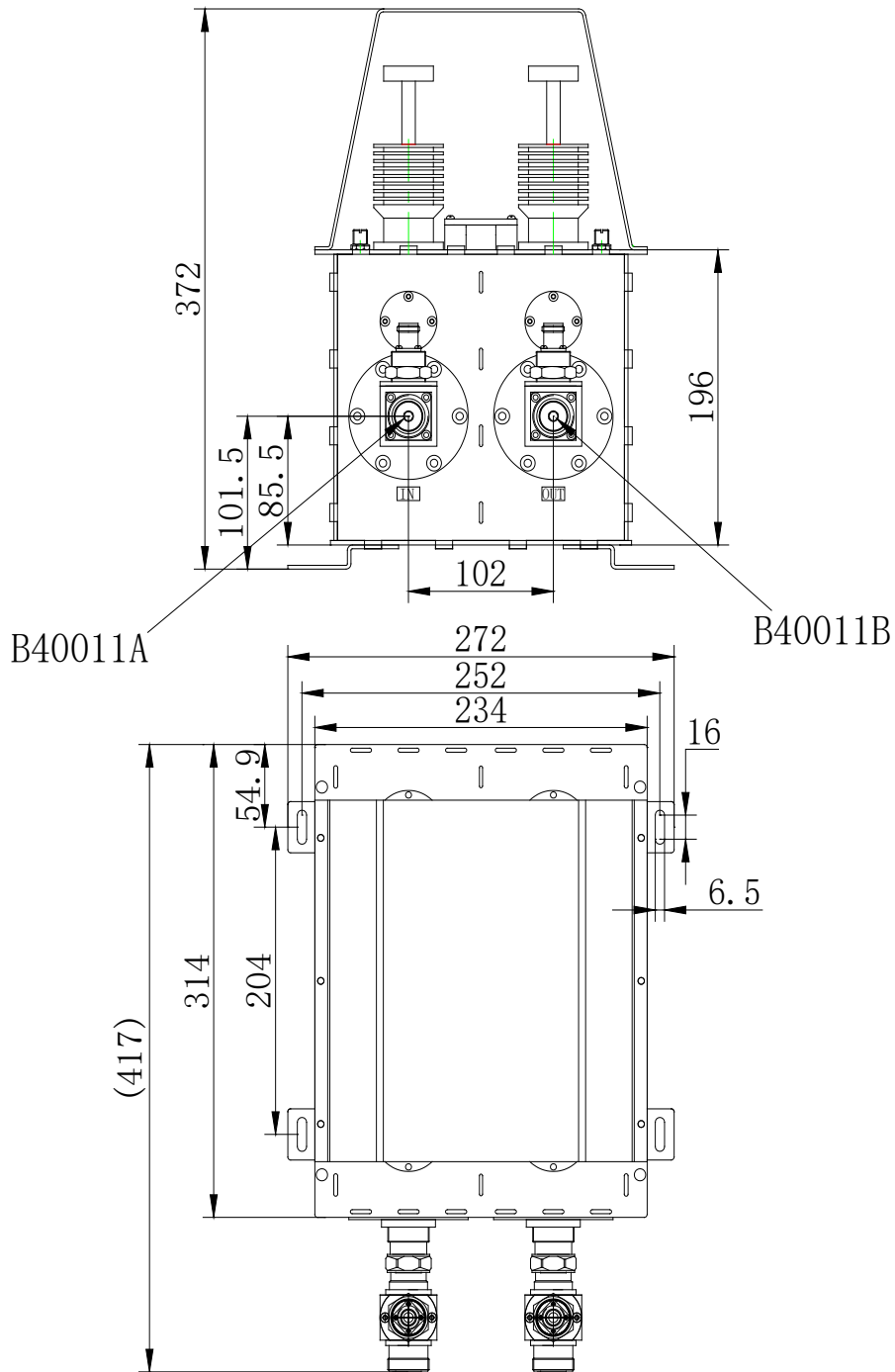
Fax: +1 (847) 415 2112

UHF 700W Bandpass Filter

Product Specifications

BPF-6-U-700-DF / 78 / 158

Part Number: 202610.01 / 202611.01 / 202612.01



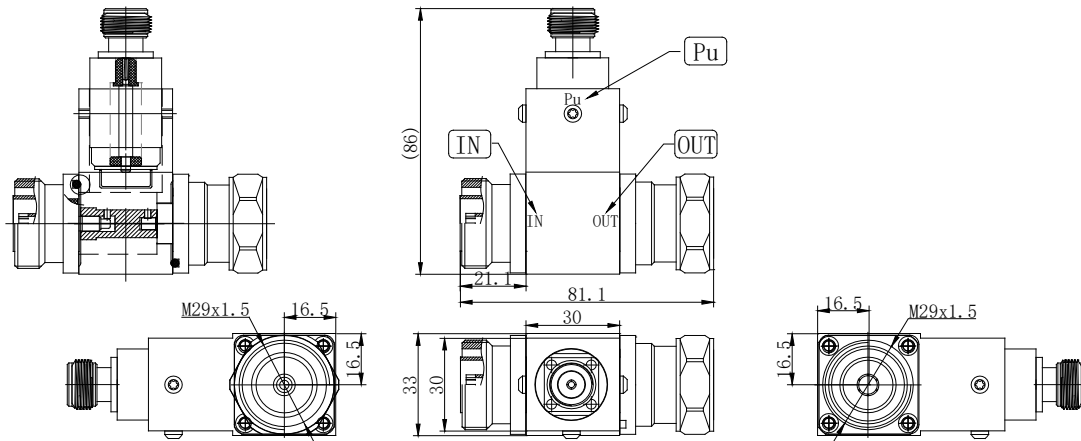
700W DIN-F Filter

anywavecom.net

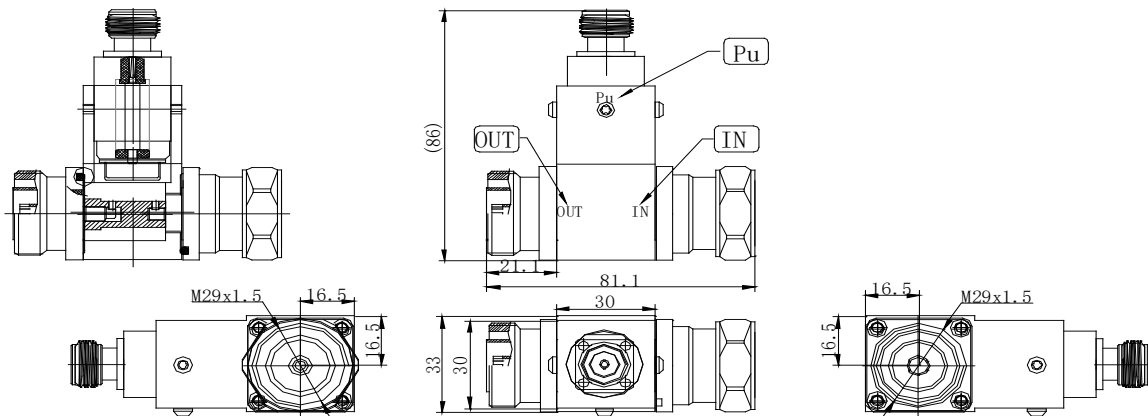
300 Knightsbridge Parkway | Suite 150 | Lincolnshire | IL | 60069

Phone: +1 (847) 415 2258

Fax: +1 (847) 415 2112



Din Diectonal
Coupler B40011A



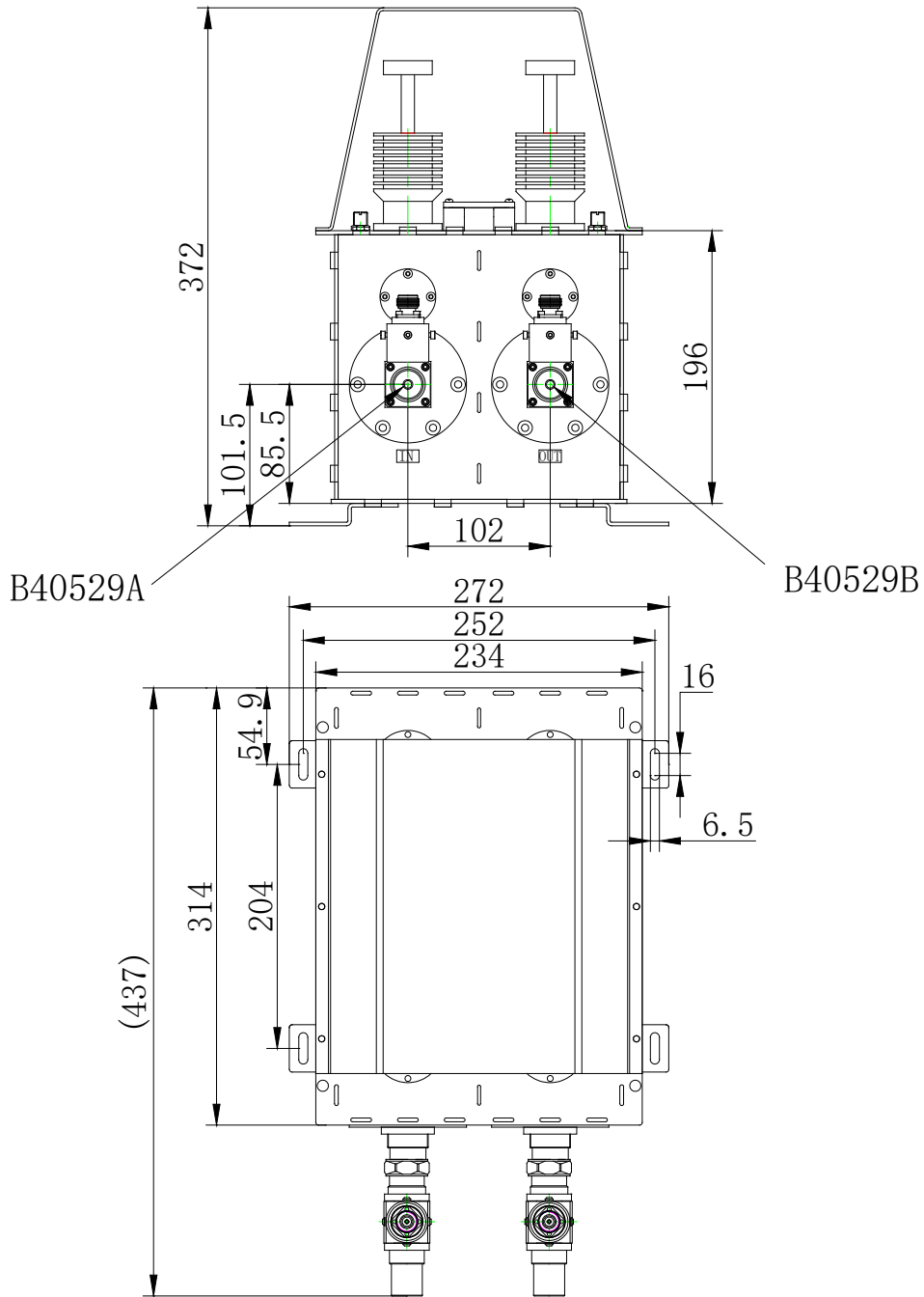
Din Diectonal
Coupler B40011B

UHF 700W Bandpass Filter

Product Specifications

BPF-6-U-700-DF / 78 / 158

Part Number: 202610.01 / 202611.01 / 202612.01



700W $\frac{7}{8}$ Filter

anywavecom.net

300 Knightsbridge Parkway | Suite 150 | Lincolnshire | IL | 60069

Phone: +1 (847) 415 2258

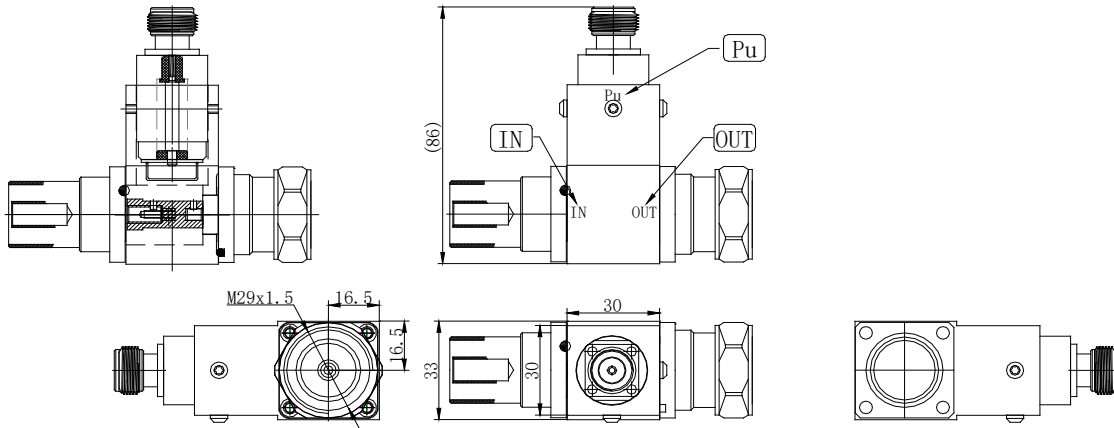
Fax: +1 (847) 415 2112

UHF 700W Bandpass Filter

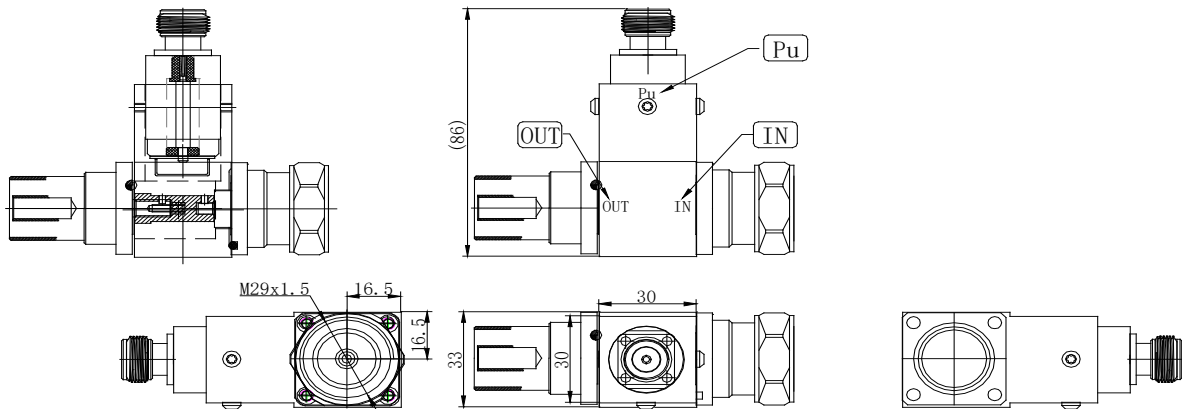
Product Specifications

BPF-6-U-700-DF / 78 / 158

Part Number: 202610.01 / 202611.01 / 202612.01



7/8 Diirectional
Coupler B40529A



7/8 Diirectional
Coupler B40529B

anywavecom.net

300 Knightsbridge Parkway | Suite 150 | Lincolnshire | IL | 60069

Phone: +1 (847) 415 2258

Fax: +1 (847) 415 2112