

UHF 700W Bandpass Filter

Product Specifications

BPF-8-U-700-DF / 78 / 158

Part Number: 202631.01 / 202632.01 / 202633.01



Main Features

- 8-Pole
- 100mm Cavity Size
- Double Cross Coupling
- Full band Tunability
- Temperature Stabilization
- Output Monitor Probe

Electrical Specifications

Frequency Range	470-806MHz		
Adjusting Data	DVB-T/T2	ATSC 1.0/3.0	ISDB-T
Insertion Loss	f(0):≤0.65dB	f(0):≤0.95dB	f(0):≤0.85dB
	f(0)±3.8MHz:≤1.4dB	f(0)±2.7MHz:≤1.6dB	f(0)±2.79MHz:≤1.5dB
	f(0)±3.9MHz:≤1.65dB	f(0)±2.93MHz:≤1.85dB	
Attenuation	f(0)±4.2MHz:≥4dB	f(0)±3.5MHz:≥6dB	f(0)±3.15MHz:≥7dB
	f(0)±6.MHz:≥30dB	f(0)±6.MHz:≥48dB	f(0)±4.5MHz:≥31dB
	f(0)±12MHz:≥51dB	f(0)±9MHz:≥65dB	f(0)±9MHz:≥61dB
Harmonic Attenuation	≥45dB	≥45dB	≥45dB
Return loss / VSWR	≤-25dB/1.12	≤-25dB/1.12	≤-25dB/1.12
Temperature Stability	≤1kHz/K		
Max Power Output	700W		
Directional Coupler			
Coupling	50±0.8dB		
Directivity	≥23dB		
VSWR	≤1.2		
Impedance	50Ω		

Environmental Specifications

Operating temperature range	-10°C to +55°C
Max Operating Temperature (Body)	65°C
Relative humidity	5% - 95%
Barometric pressure	55KPa -106KPa

anywavecom.net

300 Knightsbridge Parkway | Suite 150 | Lincolnshire | IL | 60069

Phone: +1 (847) 415 2258

Fax: +1 (847) 415 2112

UHF 700W Bandpass Filter

Product Specifications

BPF-8-U-700-DF / 78 / 158

Part Number: 202631.01 / 202632.01 / 202633.01



Mechanical Specifications

Connectors Input; Output	DIN female or 7/8" EIA or 1 5/8" EIA
Output Monitor Probe	N female
Weight	11kg
Outer Dimension(mm)	519*272*372mm (DIN-F); 535*272*372mm (7/8" EIA)
Packing Size	538*332*491mm
Mounting	Wall or pole
Packing	1Pce in box

anywavecom.net

300 Knightsbridge Parkway | Suite 150 | Lincolnshire | IL | 60069

Phone: +1 (847) 415 2258

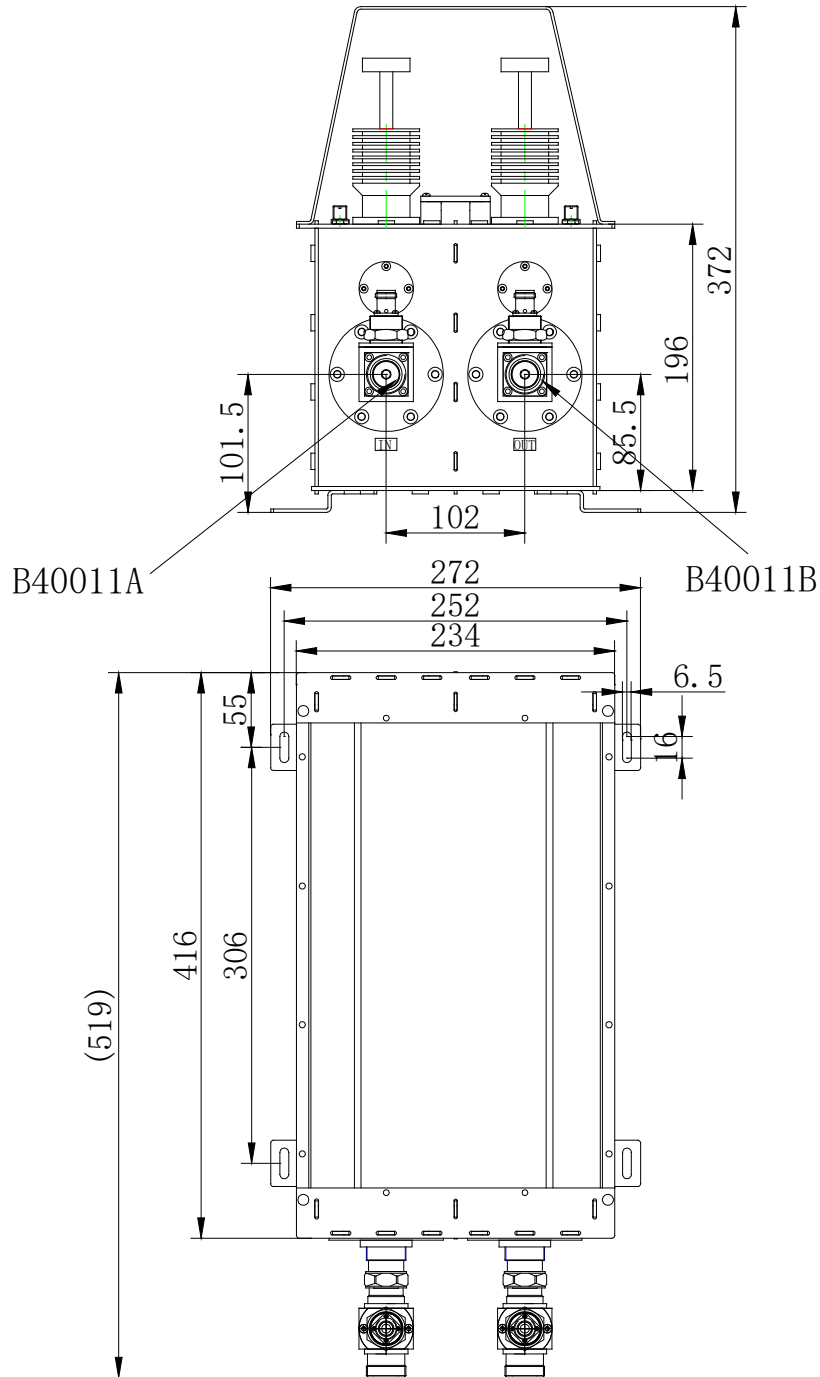
Fax: +1 (847) 415 2112

UHF 700W Bandpass Filter

Product Specifications

BPF-8-U-700-DF / 78 / 158

Part Number: 202631.01 / 202632.01 / 202633.01



700W 8 POLE DIN-F Filter

anywavecom.net

300 Knightsbridge Parkway | Suite 150 | Lincolnshire | IL | 60069

Phone: +1 (847) 415 2258

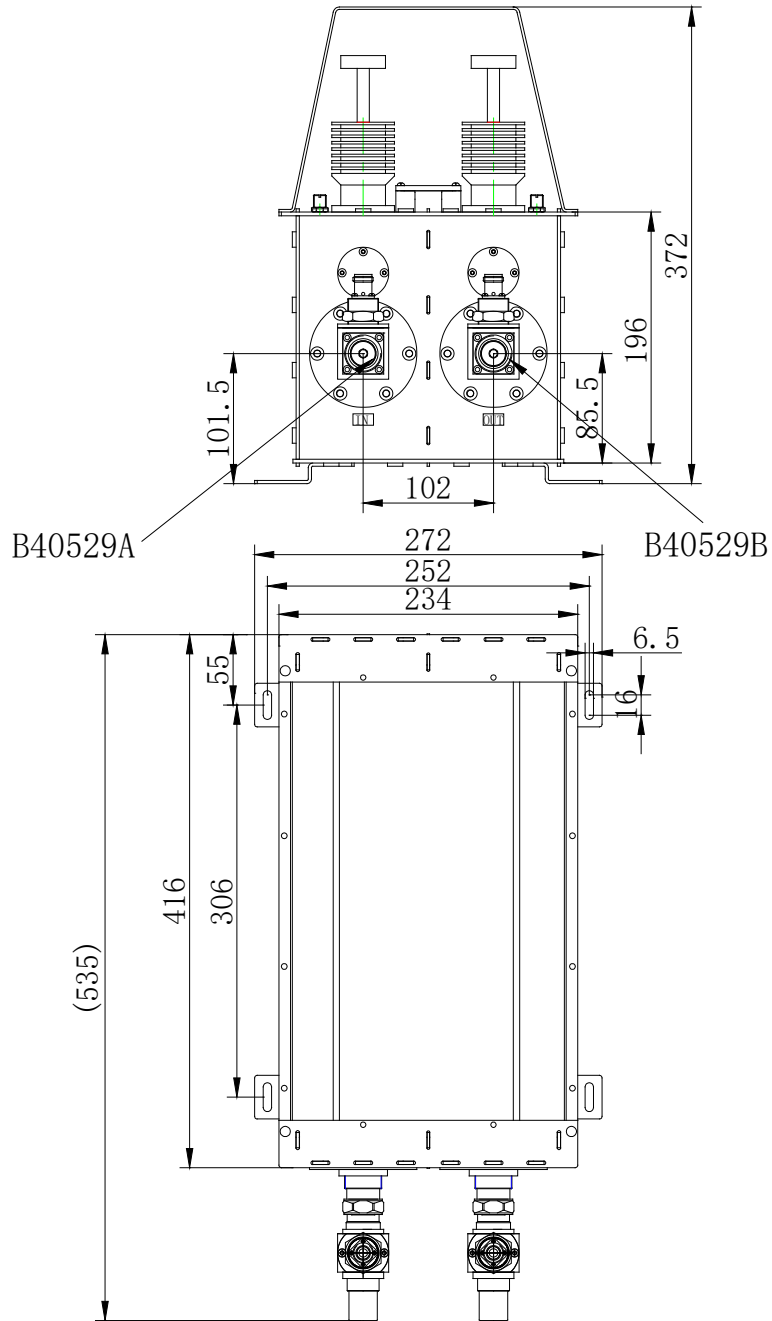
Fax: +1 (847) 415 2112

UHF 700W Bandpass Filter

Product Specifications

BPF-8-U-700-DF / 78 / 158

Part Number: 202631.01 / 202632.01 / 202633.01



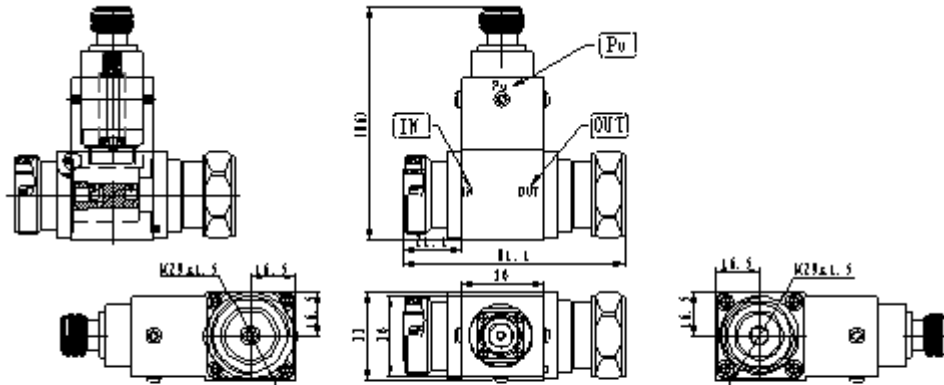
700W 8 POLE $\frac{7}{8}$ Filter

anywavecom.net

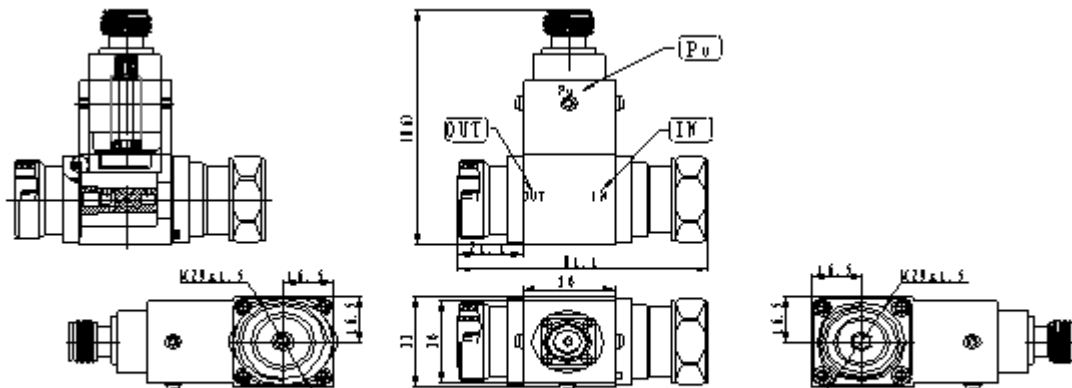
300 Knightsbridge Parkway | Suite 150 | Lincolnshire | IL | 60069

Phone: +1 (847) 415 2258

Fax: +1 (847) 415 2112



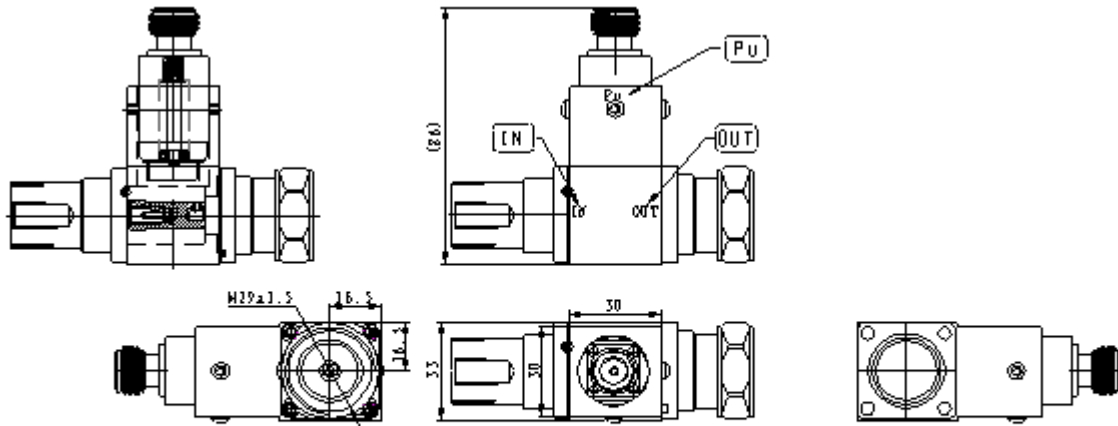
Din Diirectional
Coupler B40011A



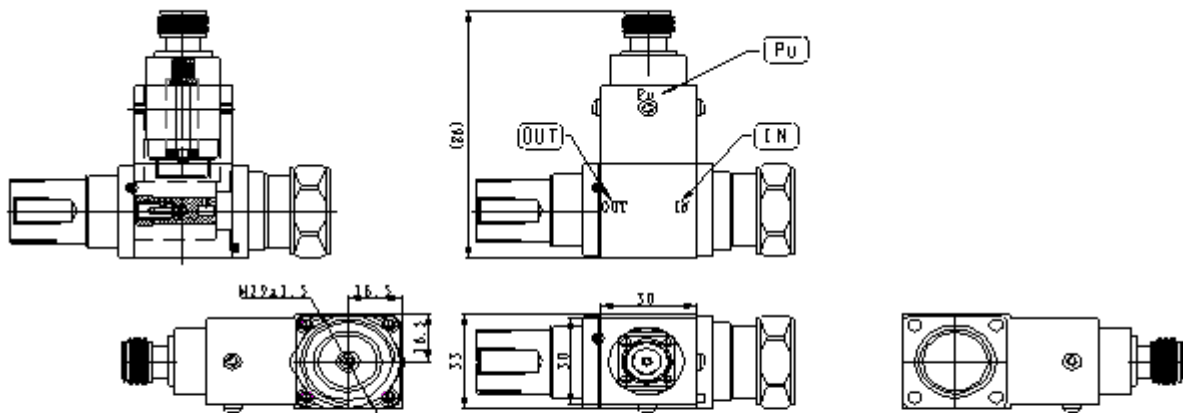
Din Diirectional
Coupler B40011B

BPF-8-U-700-DF / 78 / 158

Part Number: 202631.01 / 202632.01 / 202633.01



1/8 Diirectional
Coupler B40529A



1/8 Diirectional
Coupler B40529B